

NOTE: Attached to the end of Part II is a list of Statutes of Newfoundland and Labrador, 2014 as enacted up to December 16, 2014.



THE NEWFOUNDLAND AND LABRADOR GAZETTE

PART I

PUBLISHED BY AUTHORITY

Vol. 89 ST. JOHN'S, FRIDAY, DECEMBER 19, 2014 No. 51

CORPORATIONS ACT

Date	Number	Company Name	2014-10-06	73474	73474 NEWFOUNDLAND & LABRADOR CORP.
<i>Corporations Act - Section 393</i>					
<i>Local Incorporations</i>					
<i>For the Month of: October 2014</i>					
2014-10-01	73450	Genge Technical Services Inc.	2014-10-06	73475	73475 NEWFOUNDLAND & LABRADOR CORP.
2014-10-01	73454	Greenland Holdings Limited	2014-10-06	73476	GARBERN Enterprises Incorporated
2014-10-01	73502	HAWK TECHNOLOGY INC.	2014-10-06	73477	73477 NEWFOUNDLAND & LABRADOR LIMITED
2014-10-01	73449	Lewis Excavation LTD.	2014-10-06	73478	SUNSET KITCHEN AND BATH BY DESIGN LTD.
2014-10-02	73465	Proline Supplies & Equipment Inc.	2014-10-07	73495	CHRISTIAN MISSIONARY FELLOWSHIP INTERNATIONAL CORP.
2014-10-02	73460	Silver Gliders Figure Skating Club Inc.	2014-10-07	73497	Dr. Nayef Al Ghanim Professional Medical Corporation
2014-10-02	73455	Five Hole Hockey Limited	2014-10-07	73493	NLK Consulting Ltd.
2014-10-02	73458	73458 NEWFOUNDLAND & LABRADOR CORP.	2014-10-07	73496	Sarah Rays Place Inc.
2014-10-03	73472	ABA Patterson Holdings Limited	2014-10-07	73501	UPPER ARM FISHERMENS COMMITTEE INC.
2014-10-03	73469	HD Patterson Holdings Limited	2014-10-07	73492	Wheel Works Inc.
2014-10-03	73473	Prime Drilling Inc.	2014-10-07	73484	BIRCHBARK CAPITAL CORPORATION
2014-10-03	73464	Juniper Clothing Inc.	2014-10-07	73487	OGI Holdings Limited
2014-10-06	73481	73481 NEWFOUNDLAND AND LABRADOR INC.	2014-10-07	73488	K.L. Culinary Services Ltd.
2014-10-06	73480	BBG Holdings Incorporated	2014-10-07	73489	Ever After Holdings Inc.
2014-10-06	73479	Boar & Barrel Incorporated	2014-10-07	73490	DMJC Enterprises Inc.
2014-10-06	73483	Exploration Research Inc.	2014-10-07	73491	Narrows Consulting Inc.
2014-10-06	73482	SCC CONSULTING INC.	2014-10-08	73509	CJ MECHANICAL INC.
2014-10-06	73467	73467 NEWFOUNDLAND & LABRADOR CORP.	2014-10-08	73512	Dr. Al-Gharbawy PMC Inc.
2014-10-06	73468	73468 NEWFOUNDLAND & LABRADOR CORP.	2014-10-08	73503	73503 NEWFOUNDLAND & LABRADOR LIMITED

THE NEWFOUNDLAND AND LABRADOR GAZETTE
December 19, 2014

2014-10-08	73504	Kans Consulting and Inspection Services Inc.	2014-10-20	73562	WoToJo Productions Inc.
2014-10-09	73520	73520 NEWFOUNDLAND & LABRADOR CORP.	2014-10-20	73563	KCB Consulting Inc.
2014-10-09	73516	BLAZER TIRE & AUTO LTD.	2014-10-20	73564	Advanced Automatics Integration Inc.
2014-10-09	73517	New Light Sense Technology Inc.	2014-10-20	73565	DJH HOLDINGS LTD.
2014-10-09	73521	POWELL J HOLDINGS INC.	2014-10-21	73571	FLEMING'S FROZEN TREATS INC.
2014-10-09	73505	Drs. Vermaak Professional Medical Corporation	2014-10-21	73570	Oldford's House Framing Inc.
2014-10-09	73506	Samax GP Inc.	2014-10-21	73568	Western Newfoundland Brewing Company Ltd.
2014-10-09	73507	73507 NEWFOUNDLAND & LABRADOR INC.	2014-10-21	73569	Emerald Scaffolding Services Inc.
2014-10-09	73513	SCOTT CHANT ENTERPRISES LTD.	2014-10-22	73576	73576 NEWFOUNDLAND AND LABRADOR LIMITED
2014-10-09	73514	Woodhouse Management Company Limited	2014-10-22	73577	GEORGETOWN CAFÉ & BOOKSHELF INC.
2014-10-09	73515	FLB Holdings Limited	2014-10-22	73574	Mills Aquaculture Newfoundland Ltd.
2014-10-10	73530	73530 NEWFOUNDLAND & LABRADOR LTD.	2014-10-22	73575	Vatcher Restaurant Inc.
2014-10-10	73529	PETER SULLIVAN WATER WELL DRILLING LTD.	2014-10-23	73581	73581 NEWFOUNDLAND & LABRADOR INC.
2014-10-10	73531	Project Healing Waters Fly Fishing Canada - Newfoundland Chapter Inc.	2014-10-23	73583	73583 NEWFOUNDLAND AND LABRADOR LIMITED
2014-10-10	73518	73518 NEWFOUNDLAND & LABRADOR LIMITED	2014-10-23	73584	LUFFMAN HOLDINGS INC.
2014-10-10	73524	AF Chemical Servicing Ltd.	2014-10-23	73582	Ocean Catch Monitoring Inc.
2014-10-10	73525	73525 NEWFOUNDLAND & LABRADOR INC.	2014-10-23	73580	73580 NEWFOUNDLAND AND LABRADOR INC.
2014-10-14	73538	Muggee's Place Inc.	2014-10-24	73587	CORE MARINE DESIGN INC.
2014-10-14	73526	73526 NEWFOUNDLAND & LABRADOR INC.	2014-10-24	73594	Dr. Ryno Verster, PMC Inc.
2014-10-14	73527	73527 NEWFOUNDLAND & LABRADOR INC.	2014-10-24	73588	Emian International Trade Company Inc.
2014-10-14	73532	73532 NEWFOUNDLAND & LABRADOR LIMITED	2014-10-24	73586	73586 NEWFOUNDLAND & LABRADOR LIMITED
2014-10-14	73533	The Baccalieu Trail Bed and Breakfast & Fine Dining Inc.	2014-10-27	73599	73599 NEWFOUNDLAND AND LABRADOR LTD.
2014-10-14	73534	Bonnies Holdings Inc.	2014-10-27	73600	ST. ANTHONY COME HOME YEAR 2015 INC
2014-10-15	73549	EnviroBlu Solutions Inc.	2014-10-27	73589	Snow Technical Services Ltd.
2014-10-15	73544	G & S Computer Repair Inc.	2014-10-27	73592	Avalon Mulch and Mini-Mix Limited
2014-10-15	73541	Integrated Subsea Services Canada Limited	2014-10-28	73597	A Home Away From Home Childcare Centre Inc.
2014-10-15	73540	KEANY ENTERPRISES INC.	2014-10-28	73598	C & T Thomas Quality Contracting Ltd.
2014-10-15	73548	KENNETH SAMPSON PROFESSIONAL SERVICES INC	2014-10-28	73603	DP Realty Limited
2014-10-15	73547	ME & TA INVESTMENTS INC.	2014-10-28	73604	Voisey's Bakery and Convenience Inc.
2014-10-15	73535	73535 NEWFOUNDLAND & LABRADOR INC.	2014-10-28	73605	Dr. Colleen Cook Professional Medical Corporation
2014-10-15	73536	Gary Parsons Investments Limited	2014-10-28	73606	Grieg Seafarms NL Ltd.
2014-10-16	73551	73551 NEWFOUNDLAND AND LABRADOR INC.	2014-10-29	73617	Bob's Mobility Services Inc.
2014-10-16	73554	Avalon Tech & Tailor Inc	2014-10-29	73620	Celtic Navigational Aids Limited
2014-10-16	73550	Sammy's Snacks Ltd.	2014-10-29	73618	MCL HOLDINGS INC
2014-10-16	73553	SAUNDERS DESIGN INC.	2014-10-29	73619	MRN HAULAGE INC
2014-10-16	73542	Ned's TEMPLE Inc.	2014-10-29	73607	HillCorp Investments Inc.
2014-10-16	73545	Chimo Construction (2014) Limited	2014-10-29	73612	2439 HOLDINGS INC.
2014-10-16	73546	Natures Edge Inc.	2014-10-29	73613	2316 HOLDINGS INC.
2014-10-17	73561	Dr. Alison Haynes Professional Medical Corporation	2014-10-29	73614	Dr. William Witherell Professional Dental Corporation
2014-10-17	73557	Dr. Jamie J. Tibbo Professional Medical Corporation	2014-10-29	73615	Troy's Carpentry Inc.
2014-10-17	73555	KW Holdings Limited	2014-10-30	73630	BTBB Consultants Inc.
2014-10-17	73559	TINA'S CONVENIENCE & GAS BAR LTD.	2014-10-30	73631	Flynn's Pub Inc.
2014-10-20	73567	PETER FARR HOLDINGS INC.	2014-10-30	73616	Biolantic Services Inc.
2014-10-20	73566	Spear Contracting Inc.	2014-10-30	73621	DMA Enterprises Limited
2014-10-20	73556	MORAG LOVES ARMAGEDDON INC.	2014-10-30	73623	SPRINGDALE'S GARDENS INC.
			2014-10-30	73624	73624 NEWFOUNDLAND & LABRADOR CORP.
			2014-10-30	73626	73626 NEWFOUNDLAND AND LABRADOR INC.
			2014-10-30	73627	JAGO Auto Holding Company Ltd.
			2014-10-30	73628	Snow & Water Sports Holding Company Ltd.
			2014-10-31	73640	73640 NEWFOUNDLAND & LABRADOR LTD.

THE NEWFOUNDLAND AND LABRADOR GAZETTE
December 19, 2014

2014-10-31 73637 Andy's Pet Town Inc.
2014-10-31 73638 Avalon Upstream Consulting Limited
2014-10-31 73639 CRRJ Holdings Limited
2014-10-31 73634 FC Instrumentation and Controls Inc.

Total Incorporations: 138

Corporations Act - Section 331

Local Revivals

For the Month of: October 2014

Date	Number	Company Name
2014-10-01	35526	Cottrells Cove/Moore's Cove Local Service Committee Incorporated
2014-10-01	7669	HALLSTOWN ENTERPRISES LIMITED
2014-10-14	35840	Health Services Ltd.
2014-10-28	49318	Bungalow Holdings Limited
2014-10-29	45814	Hot and Ready Catering Company Limited

Total Revivals: 5

Corporations Act - Section 296 and 393

Local Continuances

For the Month of: October 2014

Date	Number	Company Name
2014-10-07	73499	Innu Nation Inc.
2014-10-08	73511	Big Yellow Dog Inc.

Total Continuances: 2

Corporations Act - Section 286

Local Amendments

For the Month of: October 2014

Date	Number	Company Name
2014-10-01	62616	BARRON HOLDINGS LIMITED
2014-10-01	38602	CENTRAL CONVENIENCE LTD
2014-10-01	62776	DR. J. A. W. BALLARD DENTAL CORP.
2014-10-01	56666	JPJC HOLDINGS INCORPORATED
2014-10-01	15286	Menihok Shopping Centre Limited
2014-10-01	71271	NORTHERN LIGHTS PROPERTIES INC.
2014-10-01	39099	PATTERSON STEEL PRODUCTS LTD.
2014-10-01	34309	Patterson's Crane Rentals Ltd.
2014-10-01	64884	Solina Enterprises Inc.
2014-10-01	64768	Watts Pond Enterprises Inc.
2014-10-02	70574	70574 NEWFOUNDLAND & LABRADOR LIMITED
2014-10-02	70575	70575 NEWFOUNDLAND & LABRADOR LIMITED
2014-10-02	41670	DKG Investments Inc.
2014-10-02	72182	Stirling Studios, Inc.
2014-10-03	72084	NEWFOUNDLAND & LABRADOR FIL-CAN ORGANIZATION INC.
2014-10-06	30878	PORTER ASSOCIATES LIMITED
2014-10-07	63079	63079 NEWFOUNDLAND & LABRADOR INC.
2014-10-07	73042	73042 NEWFOUNDLAND & LABRADOR INC.
2014-10-07	66014	CANADA DEVELOPMENT GROUP INC

2014-10-07	73324	Dr. Jennifer L. Adams Medical Professional Corporation
2014-10-09	69375	ARETHUSA DEVELOPMENTS LIMITED
2014-10-09	72629	Harbourview Bed & Breakfast Ltd.
2014-10-10	61263	D.P.L. CONSTRUCTION INC.
2014-10-10	71839	TANDOORI BLISS INC.
2014-10-10	32231	Wareham's Holdings Ltd.
2014-10-14	42018	C.A.E. HOLDINGS INC.
2014-10-14	66693	Higher Talent Inc.
2014-10-14	57142	MADERRA ENGINEERING INC.
2014-10-15	70829	MJL HOLDINGS INC.
2014-10-15	60396	PRO TILE SERVICES LIMITED
2014-10-15	40732	Quidi Vidi Pewter Inc.
2014-10-15	60441	RUMBLEWISH PRODUCTION SUPPORT INC.
2014-10-16	42431	42431 Newfoundland & Labrador Inc.
2014-10-16	69836	AUTO IMPACT SOLUTIONS LTD.
2014-10-16	17272	Exploits Holdings Limited
2014-10-16	73541	Integrated Subsea Services Canada Limited
2014-10-17	70870	Perrot Homes Limited
2014-10-17	68243	The Spindrift Brewing Company Limited
2014-10-20	64088	Cleaning By Design Ltd.
2014-10-20	73465	Proline Supplies & Equipment Inc.
2014-10-21	66571	Burin Chiropractic Inc
2014-10-21	56478	CRAFTED TREASURES INC.
2014-10-21	73301	James Goodwin PLC Inc.
2014-10-22	35668	MTR Enterprise Ltd.
2014-10-23	52266	BEAULIEUS CARIBOU HUNTS (2005) LIMITED
2014-10-23	68499	MAX POWELL HOLDINGS INC.
2014-10-23	4759	McDonald Realities Limited
2014-10-23	40369	NEWFOUNDLAND AND LABRADOR 5 PIN BOWLERS ASSOCIATION INC.
2014-10-24	63725	ETDK HOLDINGS LIMITED
2014-10-24	44948	HYNES DRYWALL LTD.
2014-10-24	26888	Scotty Inc.
2014-10-24	19107	Trapper John's Museum N' Pub Limited
2014-10-26	41678	QUINCO ENTERPRISES LTD
2014-10-27	30164	EASTERN EXPRESS LTD.
2014-10-28	49318	Bungalow Holdings Limited
2014-10-28	66672	GANDER CHIROPRACTIC CLINIC INC.
2014-10-29	36391	QUO VARDIS INC.
2014-10-30	52101	52101 NEWFOUNDLAND AND LABRADOR LIMITED
2014-10-30	61758	61758 NEWFOUNDLAND AND LABRADOR LIMITED
2014-10-30	64681	COASTAL CHIROPRACTIC INC.
2014-10-30	25568	Guysha Inc.
2014-10-30	73061	MThree Holdings Limited
2014-10-30	24933	TOPSAIL ROAD CHIROPRACTIC CLINIC LIMITED
2014-10-30	15639	YMCA of Western NL Inc.
2014-10-31	20716	Hamilton Drugs Limited
2014-10-31	20856	HAYWARD INTERIORS PLUS, INC.
2014-10-31	63997	MIBAR HOLDINGS LTD.
2014-10-31	36642	SNOW & WATER SPORTS LTD.
2014-10-31	14495	White Bear Construction Limited

Total Amendments: 69

THE NEWFOUNDLAND AND LABRADOR GAZETTE
December 19, 2014

Corporations Act - Section 337
Local Intents to Dissolve
For the Month of: October 2014

Date	Number	Company Name
2014-10-30	56089	DZ HOLDINGS INC.

Total Intents to Dissolve: 1

Corporations Act - Section 335
Local Dissolutions
For the Month of: October 2014

Date	Number	Company Name
2014-10-01	36703	10494 Newfoundland Inc.
2014-10-01	40050	10675 Newfoundland Inc.
2014-10-01	52024	52024 NEWFOUNDLAND AND LABRADOR LIMITED
2014-10-01	21900	Hallstown Enterprises (1987) Limited
2014-10-02	59582	GWM MANAGEMENT INC.
2014-10-03	58517	HUMBER VALLEY CAPITAL CORPORATION
2014-10-06	52554	A & W HOLDINGS INC.
2014-10-06	42225	Credit Information Services (Nfld.) Limited
2014-10-06	48408	Holy Cross Community School Incorporated
2014-10-06	49193	WOODWORTH DRAFTING AND CONSULTING INC.
2014-10-07	64842	64842 NEWFOUNDLAND AND LABRADOR LIMITED
2014-10-08	45084	HR1 Builders Ltd.
2014-10-08	51422	NEWTON SMITH INTERNATIONAL LTD
2014-10-08	36782	THE NORTHEAST AVALON REGIONAL ECONOMIC DEVELOPMENT BOARD INC.
2014-10-09	71335	71335 NEWFOUNDLAND AND LABRADOR INC.
2014-10-09	45796	COASTAL GROWERS INC.
2014-10-09	67000	Dr. Ayodeji Ogunsina PMC Inc.
2014-10-09	41657	FIC ENTERPRISES LTD.
2014-10-09	57762	G.M. Carroll and Associates Inc.
2014-10-10	61263	D.P.L. CONSTRUCTION INC.
2014-10-10	63106	MVP'S INVESTMENTS INC.
2014-10-10	50564	TWIN CITIES LANDSCAPING LTD.
2014-10-15	65737	THORARINSON ENGINEERING CONSULTING LIMITED
2014-10-16	67804	Cabinets Plus Inc.
2014-10-17	64624	BUTLER ENERGY CONSULTING LTD.
2014-10-17	61021	ONESEA TEC INC.
2014-10-20	71724	RECREATION DEPOT INC.
2014-10-21	64866	B.Murphy Industrial Ltd.
2014-10-21	16403	Mike Ryan Limited
2014-10-22	38247	HMB CONSTRUCTION LTD.
2014-10-22	32642	SCAPLEN WOODWORKING LIMITED
2014-10-24	52503	JG JENKINS TECHNICAL SAFETY CONSULTING INC.
2014-10-24	56337	SPO ENTERTAINMENT INC.
2014-10-28	71306	J & J Bulk Services Ltd.
2014-10-28	42674	LAKE SERVICES INC.
2014-10-29	67073	BROOKE'S CARPET CLEANERS INC
2014-10-29	31014	Sally's Cove Social Committee Inc.
2014-10-30	73532	73532 NEWFOUNDLAND & LABRADOR LIMITED
2014-10-30	52723	Benefit Electric and Controls Inc.
2014-10-30	47982	George Rideout Enterprises Limited

2014-10-30	56494	PRO SHARP MOBILE LTD.
2014-10-31	62851	G & G FISHERIES LTD.
2014-10-31	28586	STEAPAL ENTERPRISES LTD

Total Dissolutions: 43

Corporations Act - Section 299
Local Discontinuances
For the Month of: October 2014

Date	Number	Company Name
2014-10-01	64509	64509 NEWFOUNDLAND & LABRADOR INC.
2014-10-28	20281	R. J. Campbell Optics Limited

Total Discontinuances: 2

Corporations Act - Section 294
Local Amalgamations
For the Month of: October 2014

Date	Number	Company Name
2014-10-01	73457	Seafoam Fisheries Ltd.
From:	68942	Seafoam Fisheries Ltd.
	66308	SWEET FISHER ENTERPRISES INC.
2014-10-03	73471	D.P.B. HOLDINGS LIMITED
From:	26616	CABOT INN'S LIMITED
	23170	D. P. B. HOLDINGS LIMITED
	26530	Lawrence Holdings Limited

Total Amalgamations: 2

Corporations Act - Section 286
Local Name Changes
For the Month of: October 2014

Number	Company Name
73324	Dr. Jennifer L. Adams Medical Professional Corporation
2014-10-07	From: Dr. Jennifer L. Marks Medicine Professional Corporation
72629	Harbourview Bed & Breakfast Ltd.
2014-10-09	From: Harbour View Bed & Breakfast Ltd.
71839	TANDOORI BLISS INC.
2014-10-10	From: Central Organics Inc.
73541	Integrated Subsea Services Canada Limited
2014-10-16	From: 73541 NEWFOUNDLAND AND LABRADOR LIMITED
68243	The Spindrift Brewing Company Limited
2014-10-17	From: The Salty Dog Brewing Company Inc.
64088	Cleaning By Design Ltd.
2014-10-20	From: YETMAN'S CLEANERS LTD.
73301	James Goodwin PLC Inc.
2014-10-21	From: 73301 NEWFOUNDLAND AND LABRADOR LIMITED

THE NEWFOUNDLAND AND LABRADOR GAZETTE
December 19, 2014

52101		52101 NEWFOUNDLAND AND LABRADOR LIMITED	2014-10-30	73629	CANADA ULC PAYLESS CAR RENTAL CANADA INC.
2014-10-30	From:	DR. PETER THORPE PROFESSIONAL MEDICAL CORPORATION	2014-10-30	73632	POURSHINS CANADA INC.
			2014-10-31	73641	Younique, LLC
73061		MThree Holdings Limited	Total Registrations: 35		
2014-10-30	From:	73061 NEWFOUNDLAND AND LABRADOR LIMITED			
<div style="display: flex; justify-content: space-between;"> <div style="width: 45%;"> <p>Total Name Changes: 9</p> <hr/> <p><i>Corporations Act - Section 443</i> Extra-Provincial Registrations For the Month of: October 2014</p> </div> <div style="width: 45%;"> <p><i>Corporations Act - Section 451</i> Extra-Provincial Name Changes For the Month of: October 2014</p> </div> </div>					
Date	Number	Company Name	Number		Company Name
2014-10-01	73456	ISS FACILITY SERVICES INC.	73212		BLUEDROP TRAINING & SIMULATION INC.
2014-10-01	73451	STIRLING GROUP HOLDINGS LTD.	2014-10-02	From:	Atlantis Systems Corp.
2014-10-01	73453	UNVERFERTH MANUFACTURING COMPANY, INC.	64998		BMS CANADA RISK SERVICES LTD.
2014-10-02	73462	AVRIO VENTURES GENERAL PARTNER III LTD.	2014-10-02	From:	BMS SPECIALTY RISKS UNDERWRITING MANAGERS LTD.
2014-10-02	73463	INNOVATIVE DRILLING LTD.	52294		AIR BP CANADA COMPANY
2014-10-03	73470	BARNARD PROJECT G.P. LTD.	2014-10-17	From:	AIR BP CANADA LIMITED
2014-10-03	73466	LE GROUPE STERLING INC. THE STERLING GROUP INC.	73519		ESL MARINE SUPPLIES LTD.
2014-10-06	73485	UNITY MANAGING UNDERWRITERS LIMITED	2014-10-20	From:	678803 NB INC.
		UNITE ASSUREURS-GESTIONNAIRES LIMITEE	5661		XL INSURANCE COMPANY PLC
2014-10-07	73500	MARID INDUSTRIES LIMITED	2014-10-21	From:	XL INSURANCE COMPANY LIMITED
2014-10-07	73494	Services Brush Canada Inc. Brush Canada Services Inc.	61248		THE D&B COMPANIES OF CANADA ULC
2014-10-08	73508	SANCTON ACCESS INC.	2014-10-31	From:	THE D&B COMPANIES OF CANADA LTD.
2014-10-09	73522	CV TECHNICAL SYSTEMS, LLC	<div style="display: flex; justify-content: space-between;"> <div style="width: 45%;"> <p>Total Name Changes: 6</p> <hr/> <p><i>Corporations Act - Section 294</i> Extra-Provincial Registrations for Amalgamation For the Month of: October 2014</p> </div> <div style="width: 45%;"> <p>Date Number Company Name</p> </div> </div>		
2014-10-09	73519	ESL MARINE SUPPLIES LTD.	2014-10-02	73461	M & M MEAT SHOPS LTD./ LES ALIMENTS M & M LTEE
2014-10-14	73539	2297283 ONTARIO LTD.	From:	57583	M & M MEAT SHOPS LEASING INC.
2014-10-15	73543	DEALER CUSTOMER RETENTION, LLC	2014-10-06	73486	FLINT FIELD SERVICES LTD.
2014-10-16	73552	PEARSON EDUCATIONAL MEASUREMENT CANADA, INC.	From:	68454	FLINT FIELD SERVICES LTD.
2014-10-17	73558	ARCADIS CANADA, INC.	2014-10-08	73510	CISCO SYSTEMS CANADA CO./ LES SYSTEMES CISCO CANADA CIE
2014-10-17	73560	MERRILL LYNCH COMMODITIES, INC.	From:	70915	CISCO SYSTEMS CANADA CO./ LES SYSTEMES CISCO CANADA CIE
2014-10-21	73573	ACCUTRAC CAPITAL SOLUTIONS INC.	2014-10-09	73523	WESTMONT HOSPITALITY CANADA LIMITED
2014-10-22	73578	NEWGEN ASSET MANAGEMENT LIMITED	From:	6278F	WESTMONT HOSPITALITY CANADA LIMITED
2014-10-22	73579	ROGERS MEDIA INC.	2014-10-14	73537	NORTHSTAR ENERGY SERVICES INC.
2014-10-24	73593	beeline Canada Accessories Inc.			
2014-10-24	73595	Constellation Brands Québec, Inc. Marques Constellation Québec, Inc.			
2014-10-24	73591	MAS ACQUISITIONS AS CANADA INC.			
2014-10-24	73596	POWERTEL UTILITIES CONTRACTORS LIMITED			
2014-10-27	73601	IW MARKETING INTERNATIONAL CANADA ULC			
2014-10-28	73610	2420923 ONTARIO INC.			
2014-10-28	73609	ALPINE ACCESS CANADA INC.			
2014-10-28	73611	COMMUNITY HEALTH NURSES OF CANADA INFIRMIÈRES ET INFIRMIERS EN SANTÉ COMMUNAUTAIRE DU CANADA			
2014-10-28	73608	INVIVO SUPPLY, ULC			
2014-10-29	73622	1301745 ONTARIO LIMITED			
2014-10-30	73633	CITIGROUP ENERGY			

From: 72407 NORTHSTAR ENERGY SERVICES INC.
71651 NORTHSTAR TRANSPORT SERVICES INC.
2014-10-23 73585 Momentive Specialty Chemicals Canada Inc.
Produits Chimiques Spécialisés Momentive Canada Inc.
From: 2228D MOMENTIVE SPECIALTY CHEMICALS CANADA INC.
PRODUITS CHIMIQUES SPÉCIALISÉS MOMENTIVE CANADA INC.
2014-10-24 73590 LGM Financial Services Inc.
From: 68572 LGM FINANCIAL SERVICES INC.
2014-10-27 73602 PARAMOUNT PICTURES ENTERTAINMENT CANADA INC.
From: 52807 PARAMOUNT PICTURES ENTERTAINMENT CANADA INC.
2014-10-29 73625 BLUE CHIP LEASING CORPORATION
From: 70863 BLUE CHIP LEASING CORPORATION
67642 ENABLE CAPITAL CORPORATION

Total Registrations for Amalgamation: 9

SERVICE NL
Dean Doyle, Registrar of Companies

Dec 19

LANDS ACT

NOTICE OF INTENT *Lands Act, c36, SNL 1991, as amended*

NOTICE IS HEREBY given that DANA IVANY of Georges Brook, in the Province of Newfoundland and Labrador intends to apply to the Department of Environment and Conservation, two months from the publication of this notice, to acquire title, pursuant to Section 7 (2)(e) of the said Act, to that piece of Crown land situated within fifteen (15) metres of the waters of Gull Pond in the Electoral District of Bonavista South for the purpose of an aircraft hanger ramp and being more particularly described as follows:

*Bounded on the North by Crown land
for a distance of 90 metres;
Bounded on the East by Gull Pond
for a distance of 30 metres;
Bounded on the South by Crown land
for a distance of 90 metres;
Bounded on the West by Crown land
for a distance of 30 metres;
and containing an area of
approximately 1800 square metres.*

Any person wishing to object to the application must file the objection, in writing, within one month from the publication of this Notice, with reasons for it, to the Minister of Environment and Conservation, and mail to the nearest Regional Lands Office:

c/o Eastern Regional Lands Office, P.O. Box 8700, Howley Building, Higgins Line, St. John's, NL, A1B 4J6.

c/o Central Regional Lands Office, P.O. Box 2222, Gander, NL, A1V 1L7.

c/o Western Regional Lands Office, P.O. Box 2006, Sir Richard Squires Building, Comer Brook, NL, A2H 6J8.

c/o Labrador Regional Lands Office, P.O. Box 3014, Station "B", Happy Valley-Goose Bay, NL A0P 1E0.

For further information on the proposed application, please contact DANA IVANY, Telephone Number (709) 427-2464.

(DISCLAIMER: *The Newfoundland and Labrador Gazette* publishes a NOTICE OF INTENT as received from the Applicant and takes no responsibility for errors or omissions in the property being more particularly described.)

Dec 19

TRUSTEE ACT

ESTATE NOTICE

IN THE ESTATE of ROLAND JUNIOR GILLAM, Retired Fish Plant Worker, Divorced, Late of the Town of Channel-Port Aux Basques, District of Burgeo and Lapoile, Province of Newfoundland and Labrador, Canada, Deceased.

All persons claiming to be creditors of, or who have any claims or demands either as beneficiaries or next-of-kin, (by blood, legal adoption or marriage) upon or affecting the Estate of ROLAND JUNIOR GILLAM, divorced, deceased, are hereby requested to send particulars thereof in writing, duly attested, to the undersigned solicitors for the Executor of the Estate of the said deceased on or before the 19th day of January, 2015, after which date the said Executor will proceed to distribute the said Estate having regard only to the claims to which he shall then have had notice.

Dated at the Town of Channel-Port aux Basques, Province of Newfoundland and Labrador, this 9th day of December, 2014.

MARKS & PARSONS
Solicitors for the Executor
PER: M. Beverley L. Marks, Q.C.

ADDRESS FOR SERVICE:

P.O. Box 640
174 Caribou Road
Channel-Port aux Basques, NL
A0M 1C0

Tel: (709) 695-7338/7341

Fax: (709) 695-3944

Dec 19

ESTATE NOTICE

IN THE MATTER of the Estate of SARA GRACE HOUNSELL, Late of Badger's Quay, Bonavista Bay, in the Province of Newfoundland and Labrador, Deceased.

All persons claiming to be creditors of or who have any claims or demands either as beneficiaries or next of kin (by blood, legal adoption or marriage) upon or affecting the Estate of SARA GRACE HOUNSELL, lady who died at Badgers Quay, Bonavista Bay, NL on or about October 13th 2010, are hereby requested to send particulars thereof in writing, duly attested, to the Office of the Public Trustee, 401 - 136 Crosbie Road, St. John's, NL, A1B 3K3, Administrator of the Estate of SARA GRACE HOUNSELL, on or before January 30, 2015, after which date the said Administrator will proceed to distribute the Estate having regard only to the claims of which he then shall have had notice.

DATED at St. John's, this 19th day of December, 2014.

OFFICE OF THE PUBLIC TRUSTEE
Administrator of the
Estate of SARA GRACE HOUNSELL

ADDRESS FOR SERVICE:

Suite 401, Viking Building
136 Crosbie Road
St. John's, NL A1B 3K3

Tel: (709) 729-2548/729-0850

Fax: (709) 729-3063

Dec 19

ESTATE NOTICE

IN THE MATTER of the Estate of DAVID JOHN O'ROURKE, Late of St. John's, in the Province of Newfoundland and Labrador, Deceased.

All persons claiming to be creditors of or who have any claims or demands either as beneficiaries or next of kin (by blood, legal adoption or marriage) upon or affecting the Estate of DAVID JOHN O'ROURKE, Gentleman, who died at St. John's, NL on or about March 1st 2013, are hereby requested to send particulars thereof in writing, duly attested, to the Office of the Public Trustee, 401 - 136 Crosbie Road, St. John's, NL, A1B 3K3, Administrator of the Estate of DAVID JOHN O'ROURKE, on or before January 18, 2015, after which date the said Administrator will proceed to distribute the Estate having regard only to the claims of which he then shall have had notice.

DATED at St. John's, this 18th day of December, 2014.

OFFICE OF THE PUBLIC TRUSTEE
Administrator of the
Estate of DAVID JOHN O'ROURKE

ADDRESS FOR SERVICE:

Suite 401, Viking Building
136 Crosbie Road
St. John's, NL A1B 3K3

Tel: (709) 729-2548/729-0850

Fax: (709) 729-3063

Dec 19

CHANGE OF NAME ACT, 2009

Legal name changes processed during the period – November, 2014.

FORMER SURNAME	FORMER GIVEN NAMES	NEW SURNAME	NEW GIVEN NAMES	COMMUNITY
JOHNSON	JAIDE LILLIAN	SCOTT	JAIDE LILLIAN	ST. JOHN'S
SHORTALL	GERALD JAMES	BEST	GERALD CLARENCE FRANCAIS	ST. JOHN'S
MARSHALL	CASSIE MARIE	BOWLES	CASSIE MARIE	CORNER BROOK
MARSHALL	EMMA JOAN	BOWLES	EMMA JOAN	CORNER BROOK
WILLIAMS	GABRIELLE CASSANDRA MARY	MADDEN	GABRIELLE CASSANDRA MARY	PARADISE
ENGRAM-ROSE	FELICIA DAWN	ENGRAM	FELICIA DAWN	PARADISE
BOLLARD	BERNARDINE CLARE	BALLARD	BERNARDINE CLARE	ST. JOHN'S
BRUSHETT	MITCHELL KEITH WILLIAM	MURPHY	MITCHELL KEITH WILLIAM	ST. JOHN'S
WHITE	CHRISTOPHER CHARLES	WHO	CHICKIE LOCK	ST. JOHN'S
MAHONEY	RYAN WALTER	STAMP	RYAN WALTER	MOUNT PEARL
WHITE	JAMES	WHYTE	JAMES	SOUTH EAST BIGHT
LUSH	JACKSON PEARCE WILFRED	FRY	JACKSON PEARCE WILFRED	DEER LAKE
LUSH	SPENCER CORBIN LOUIS JAMES	FRY	SPENCER CORBIN LOUIS JAMES	DEER LAKE
WHELAN	MICHAEL PAUL BASIL	MULROONEY	MICHAEL PAUL BASIL	ST. MARY'S
MCGRATH	EDWARD JOSEPH	SPEARNS	EDWARD JOSEPH	ST. JOHN'S
SPEARNS	EDWARD JOSEPH	SPIRN	EDWARD JOSEPH	ST. JOHN'S
BOWEN	CHRISTOPHER PATRICK	JAMES	CHRISTOPHER PATRICK	ST. JOHN'S
DICKS	LEAH ELIZABETH	WARFORD	LEAH ELIZABETH	PORUTGAL COVE-ST. PHILIP'S
COLLINS	AMBER SUE ELLEN	NICHOL	AMBER SUE ELLEN	SPRINGDALE
THISTLE-STANFORD	DEVIN NORMAN	THISTLE	DEVIN NORMAN	SELDOM
NOKE	ANTHONY GERALD	NUKE	ANTHONY GERALD	APPLETON
WALSH	KEVIN MICHAEL	MAHONEY	KEVIN MICHAEL	NORTH WEST RIVER
NORRIS	LUCAS MITCHELL	CARNELL	LUCAS MITCHELL	CONCEPTION HARBOUR
POKUE	PONAS DOMINIQUE	NUKE	PONAS DOMINIQUE	BAY DE VERDE
HARNUM-BREWER	ELLA DELORES	HARNUM	ELLA DELORES	NORTH WEST RIVER
MURPHY	CONNER JAYDEN	BANNISTER	CONNER JAYDEN	PARADISE
GREGOIRE	RODERICK GINO	PENASHUE	RODERICK GINO	ST. JOHN'S
STANLEY	LONDON LEWIS NELSON	WISEMAN	LONDON LEWIS NELSON	SHESHATSHIU
ANTLE	KAYLEE MARGARET LOUISE	LUSCOMBE	KAYLEE MARGARET LOUISE	CLARENVILLE
ANTLE	LOGAN SCOTT RICHARD	LUSCOMBE	LOGAN SCOTT RICHARD	GRAND FALLS-WINDSOR
COLLINS	BRANDON MELVIN	NICHOL	BRANDON MELVIN	GRAND FALLS-WINDSOR
FENNIMORE	RYAN CHRISTOPHER	FENNEMORE	RYAN CHRISTOPHER	SELDOM
MANNING	OLIVIA ALEXIS	MALONE	OLIVIA ALEXIS	ST. JOHN'S
MCINTOSH-YOUNG	CHELSEA TAYLOR ELIZABETH	MCINTOSH-JESSO	CHELSEA TAYLOR ELIZABETH	CORNER BROOK

Dated this 2nd Day of December, 2014.

Ken Mullanly, Registrar, Vital Statistics
SERVICE NL



THE NEWFOUNDLAND AND LABRADOR GAZETTE

PART II

SUBORDINATE LEGISLATION
FILED UNDER THE STATUTES AND SUBORDINATE LEGISLATION ACT

Vol. 89

ST. JOHN'S, FRIDAY, DECEMBER 19, 2014

No. 51

NEWFOUNDLAND AND LABRADOR REGULATIONS

NLR 97/14
NLR 98/14
NLR 99/14
NLR 100/14
NLR 101/14
NLR 102/14
NLR 103/14
NLR 104/14
NLR 105/14



**NEWFOUNDLAND AND LABRADOR
REGULATION 97/14**

Emergency 911 Fee Regulations (Amendment)
under the
Emergency 911 Act
(O.C. 2014-361)

(Filed December 12, 2014)

Under the authority of section 29 of the *Emergency 911 Act*, the Lieutenant-Governor in Council makes the following regulations.

Dated at St. John's, December 12, 2014.

Julia Mullaley
Clerk of the Executive Council

REGULATIONS

Analysis

1. S.13 R&S
Commencement

NLR 80/14

1. The *Emergency 911 Fee Regulations* are amended by repealing section 13 and substituting the following:

Commencement

13. These regulations come into force on March 1, 2015.

©Queen's Printer



**NEWFOUNDLAND AND LABRADOR
REGULATION 99/14**

Badger Municipal Planning Area
under the
Urban and Rural Planning Act, 2000

(Filed December 16, 2014)

Under the authority of section 11 of the *Urban and Rural Planning Act, 2000*, I define the following area as the Badger Municipal Planning Area.

Dated at St. John's, December 1, 2014.

Keith Hutchings
Minister of Municipal and Intergovernmental Affairs

PLANNING AREA

Beginning at the point at the junction of the western bank of Badger Brook with the northern bank of the Exploits River;

Then along the shore of the Exploits River in a westerly direction 375 metres, more or less, to the mouth of Little Red Indian River;

Then crossing the mouth of the river in a southwesterly direction to the point on the southern side of the mouth of the Little Red Indian River, that point being also the most northeasterly point on the protected water supply boundary;

Then along the shoreline of the Exploits River to the most southerly point of the protected water supply boundary;

Then in a northwesterly direction along the protected water supply boundary to its most northern point, that point being the shoreline of Little Red Indian River;

Then along the protected water supply boundary, in a generally northeasterly direction, to a point, that point being south 44° 53' east, 46 metres, more or less, from an unnamed brook;

Then north 44° 53' west, 45 metres, more or less, to the north shore of Little Red Indian River where an unnamed brook flows into it;

Then north 24° 39' west, 989 metres, more or less, to a point on an unnamed brook;

Then north 58° 3' east, 925 metres, more or less, to a point on the Badger Municipal Boundary, that point being on the western bottom of a small cove in the western bank of Badger Brook;

Then along the western bank of Badger Brook in a southerly direction to the point of beginning.

All bearings refer to Grid North and, as with distances given, are subject to approximation as delineated on the 1:50000 National Topographical Series (NTS) digital mapping; UTM, NAD 83.

©Queen's Printer



**NEWFOUNDLAND AND LABRADOR
REGULATION 100/14**

Interim Development Regulations, 2003 (Amendment)
under the
Urban and Rural Planning Act, 2000

(Filed December 16, 2014)

Under the authority of section 34 of the *Urban and Rural Planning Act, 2000*, I make the following regulations.

Dated at St. John's, December 1, 2014.

Keith Hutchings
Minister of Municipal and Intergovernmental Affairs

REGULATIONS

Analysis

1. Sch. Amdt.

NLR 137/03
as amended

1. The Schedule to the *Interim Development Regulations, 2003* is amended by adding the words "Badger Municipal Planning Area" immediately before the words "Campbellton Municipal Planning Area".

©Queen's Printer



**NEWFOUNDLAND AND LABRADOR
REGULATION 101/14**

*Proclamation bringing Act into force
(SNL 2013 c3)(In force December 31, 2014)*

under

*An Act to Amend the Canada-Newfoundland and Labrador
Atlantic Accord Implementation Newfoundland and Labrador Act
(O.C. 2014-368)*

(Filed December 17, 2014)

*ELIZABETH THE SECOND, by the Grace of God of the
United Kingdom, Canada and Her Other Realms and Territories
QUEEN, Head of the Commonwealth, Defender of the Faith.*

FRANK F. FAGAN
Lieutenant Governor

JUDY MANNING
Attorney General

TO ALL TO WHOM THESE PRESENTS SHALL COME,

GREETING;

A PROCLAMATION

WHEREAS in and by section 43 of “*An Act to Amend the Canada-Newfoundland and Labrador Atlantic Accord Implementation Newfoundland and Labrador Act,*” Statutes of Newfoundland and Labrador 2013, Chapter 3 (the “Act”) it is provided that the Act shall come into force on a date to be fixed by Proclamation of Our Lieutenant Governor in Council;

AND WHEREAS it is deemed expedient that the Act shall now come into force;

NOW KNOW YE, THAT WE, by and with the advice of Our Executive Council of Our Province of Newfoundland and Labrador, do by this our Proclamation declare and direct that “*An Act to Amend the Canada-Newfoundland and Labrador Atlantic Accord Implementation Newfoundland and Labrador Act,*” Statutes of Newfoundland and Labrador 2013, Chapter 3 shall come into force on December 31, 2014.

*Proclamation bringing an Act into force an Act to
Amend the Canada-Newfoundland and Labrador Atlantic
Accord Implementation Newfoundland and Labrador Act*

101/11

OF ALL WHICH OUR LOVING SUBJECTS AND ALL OTHERS
whom these Presents may concern are hereby required to take notice
and to govern themselves accordingly.

IN TESTIMONY WHEREOF WE have caused these Our Letters to be
made Patent and the Great Seal of Newfoundland and Labrador to be
hereunto affixed.

WITNESS: Our trusty and well-beloved the
Honourable Frank F. Fagan,
Member of the Order of Canada,
Chancellor of the Order of
Newfoundland and Labrador,
Lieutenant Governor in and for
Our Province of Newfoundland and Labrador.

AT OUR GOVERNMENT HOUSE in Our City of
St. John's this 17th day of December
in the year of Our Lord two thousand and fourteen
in the sixty-third year of Our Reign.

BY COMMAND,

KEITH HUTCHINGS
Registrar General



**NEWFOUNDLAND AND LABRADOR
REGULATION 102/14**

Transitional Regulations
under the
*Canada-Newfoundland and Labrador Atlantic Accord Implementation
Newfoundland and Labrador Act*
(O.C. 2014-369)

(Filed December 17, 2014)

Under the authority of section 201.120 of the *Canada-Newfoundland and Labrador Atlantic Accord Implementation Newfoundland and Labrador Act*, the Lieutenant-Governor in Council makes the following regulations.

Dated at St. John's, December 17, 2014.

Julia Mullaey
Clerk of the Executive Council

REGULATIONS

Analysis

- | | |
|----------------------------|------------------|
| 1. Short title | 4. Sunset clause |
| 2. Adoption of regulations | 5. Commencement |
| 3. Exemptions | |

Short title

1. These regulations may be cited as the *Transitional Regulations*.

Adoption of regulations

2. The following regulations are adopted:

- (a) *Canada-Newfoundland and Labrador Offshore Marine Installations and Structures Occupational Health and Safety Transitional Regulations* (Canada);
- (b) *Canada-Newfoundland and Labrador Offshore Marine Installations and Structures Transitional Regulations* (Canada); and
- (c) *Canada-Newfoundland and Labrador Offshore Area Diving Operations Safety Transitional Regulations* (Canada).

Exemptions

3. (1) The chief safety officer may, on application, grant an exemption in respect of a workplace, or grant an exemption to an operator in respect of passengers being transported on a passenger craft to or from any of its workplaces, for a specified time and subject to specified conditions, from any requirement in respect of equipment, methods, measures or standards that is set out in the *Canada-Newfoundland and Labrador Offshore Marine Installations and Structures Occupational Health and Safety Transitional Regulations* (Canada), the *Canada-Newfoundland and Labrador Offshore Marine Installations and Structures Transitional Regulations* (Canada) or the *Canada-Newfoundland and Labrador Offshore Area Diving Operations Safety Transitional Regulations* (Canada), if satisfied that the health and safety of employees at the workplace or passengers on the passenger craft will be maintained without compliance with the requirement.

(2) These regulations are not considered to be contravened if there is compliance with an exemption under subsection (1).

(3) The application shall

- (a) be in a form acceptable to the chief safety officer;
- (b) include information with respect to the consequences to health and safety that might reasonably be anticipated if the exemption is granted; and
- (c) be accompanied by technical information sufficient to enable the chief safety officer to make a decision on the application.

(4) On receipt of an application, the chief safety officer shall make the application available to the public in a manner that he or she

considers advisable, together with a notice that submissions may be made to him or her for a period of 30 days, or a shorter period that he or she fixes with the agreement of the applicable workplace committee, after the day on which the application has been made available.

(5) Where the application is made in respect of an existing workplace, the applicant shall give a copy of the application to the operator and the operator shall, immediately after it receives or makes an application relating to an existing workplace or to a passenger craft

- (a) post a copy of the application in printed form in a prominent place at the applicable workplace; and
- (b) provide a copy to any committee established for that workplace and to any union representing employees within the offshore area.

(6) The chief safety officer shall, as soon as possible after the end of the period referred to in subsection (4), give to the applicant and the operator a copy of the decision made on the application, and make the decision available to the public in a manner that he or she considers advisable.

(7) The chief safety officer may, on his or her own initiative or on application by the applicant for the exemption under subsection (1), reconsider, confirm, vary, revoke or suspend a decision made in respect of the application at any time when information is made available that, had it been known when the decision was made, would reasonably be expected to have resulted in a different decision from the one made at that time and in that case, subsections (1) to (6) apply with the necessary modifications.

(8) Words and expressions used in this section have the same meaning as in subsection 201.1(1) of the Act.

Sunset clause

4. These regulations shall cease to have effect 5 years after they come into force.

Commencement

5. These regulations come into force on December 31, 2014.

©Queen's Printer



NEWFOUNDLAND AND LABRADOR REGULATION 103/14

Carrier Safety Regulations (Amendment)
under the
Highway Traffic Act

(Filed December 17, 2014)

Under the authority of section 197 of the *Highway Traffic Act*, I make the following regulations.

Dated at St. John's, December 12, 2014.

Tony Cornect
Minister of Service Newfoundland and Labrador

REGULATIONS

Analysis

1. Sch. Amdt.
2. Commencement

CNLR 1160/96
as amended

1. (1) The Schedule to the *Carrier Safety Regulations* is amended by deleting the reference to subsection 100(3) of the *Highway Traffic Act*, the description of the offence and the compliance indicator under that subsection of the Act.

(2) The Schedule to the regulations is amended by adding immediately after the reference to subsection 100(2) of the *Highway Traffic Act* the following:

100.1(1)	3	Failure to yield right-of-way entering roundabout
100.1(2)	3	Failure to drive to right of centre of roundabout
100.1(3)	3	Failure to yield right-of-way in roundabout to traffic travelling to left of driver's vehicle

Commencement

2. These regulations come into force on January 1, 2015.

©Queen's Printer



**NEWFOUNDLAND AND LABRADOR
REGULATION 104/14**

*Highway Traffic Demerit Point
System Regulations (Amendment)*
under the
Highway Traffic Act
(O.C. 2014-363)

(Filed December 17, 2014)

Under the authority of section 186 of the *Highway Traffic Act*, the Lieutenant-Governor in Council makes the following regulations.

Dated at St. John's, December 17, 2014.

Julia Mullaley
Clerk of the Executive Council

REGULATIONS

Analysis

1. Sch. Amdt.
2. Commencement

CNLR 753/96
as amended

1. (1) The Schedule to the *Highway Traffic Demerit Point System Regulations* is amended by deleting the row respecting an offence under subsection 100(3) of the *Highway Traffic Act*.

(2) The Schedule to the regulations is amended by adding immediately after the reference to subsection 100(2) of the *Highway Traffic Act* the following:

*Highway Traffic Demerit Point System
Regulations (Amendment)*

104/14

100.1(1)	2	Failure to yield right-of-way entering roundabout
100.1(2)	2	Failure to drive to right of centre of roundabout
100.1(3)	2	Failure to yield right-of-way in roundabout to traffic travelling to left of driver's vehicle

Commencement

2. These regulations come into force on January 1, 2015.

©Queen's Printer



NEWFOUNDLAND AND LABRADOR REGULATION 105/14

Vehicles Regulations, 2001 (Amendment)
under the
Highway Traffic Act
(O.C. 2014-364)

(Filed December 18, 2014)

Under the authority of section 187 of the *Highway Traffic Act*, the minister, with the approval of the Lieutenant-Governor in Council, makes the following regulations.

Dated at St. John's, December 18, 2014.

Tony Cornect
Minister of Service Newfoundland and Labrador

Julia Mullaley
Clerk of the Executive Council

REGULATIONS

Analysis

- | | |
|--|---|
| 1. S.2 Amdt.
Interpretation | 5. S.7 Amdt.
Excessive axle mass |
| 2. S.3 Amdt.
Weights and dimensions | 6. S.9 Amdt.
Prohibited vehicles |
| 3. S.4 Amdt.
Axle configurations | 7. S.12 Amdt.
Non-application to designat-
ed highway |
| 4. S.5 Amdt.
Permitted mass | 8. Schedules R&S |

NLR 81/01
as amended

1. (1) Paragraph (2)(1)(zz) of the *Vehicles Regulations, 2001* is repealed and the following substituted:

(zz) "track width" means the width of an axle across the outside faces of the tires measured at any point above the lowest point of the rim;

(2) Paragraph (2)(1)(hhh) of the regulations is repealed and the following substituted:

(hhh) "tridem equivalent axle" means a group of 3 consecutive, equally spaced axles within a vehicle comprising one or more lowered lift axles, attached to the vehicle by identical pneumatic suspensions which achieve load equalization between all 3 axles, and fitted with the same number and size of tires on each axle;

2. Paragraph 3(2)(d) of the regulations is amended by striking out the words and letters "Schedules A and B" and substituting "Schedules A, B and F".

3. Subsections 4(1), (2) and (3) of the regulations are amended by striking out the words and letters "Schedules A and B" and substituting "Schedules A, B and F".

4. Subsections 5(1) and (2) of the regulations are amended by striking out the words and letters "Schedules A and B" and substituting "Schedules A, B and F".

5. (1) Subsection 7(2) of the regulations is amended by deleting the "or" at the end of paragraph (a), adding the word "or" at the end of paragraph (b) and adding the following after paragraph (b):

- (c) an axle weight for a semitrailer axle which is fitted with 2 single tires each of which has a width of 445 millimetres or greater exceeds
 - (i) 21,000 kilograms for tridem axle groups with spread from 2.4 metres to less than 3.0 metres,
 - (ii) 23,000 kilograms for tridem axle groups with spread from 3.0 metres to less than 3.6 metres, or
 - (iii) 23,100 kilograms for tridem axle groups with spread from 3.6 metres to 3.7 metres.

(2) Subsection 7(3) of the regulations is amended by striking out the reference to "2007" and substituting "2009".

(3) Subsection 7(4) of the regulations is repealed and the following substituted:

(4) For trailers built in 2010 or later, the minimum track width for trailer axles fitted with 2 single tires each with a 445 millimetres width or greater must be no less than 2.45 metres.

(5) A trailer built in or after 2010 that is converted from dual to single tires must bear a label adjacent to the original compliance label that:

- (a) identifies the company, or authorized dealer of a company, under the *Motor Vehicle Safety Act* (Canada) that converted the trailer; and
- (b) indicates the revised tire and wheel size designation and revised gross vehicle and axle weight ratings.

6. (1) Paragraphs 9(a), (d) and (g) of the regulations are amended by striking out the words and letters "Schedules A and B" and substituting "Schedules A, B and F".

(2) Paragraph 9(j) of the regulations is repealed and the following substituted:

- (j) a vehicle which, including its load or content, has an overall height above the surface of the highway greater than 4.15 metres, except that in the case of a vehicle referred to in Schedule F which, including its load or content, has an overall height above the surface of the highway greater than 4.3 metres;

7. Subsection 12(2) of the regulations is amended by striking out the words and letters "Schedules A and B" and substituting "Schedules A, B and F".

8. Schedules A to E of the regulations are repealed and the following substituted:

Schedule A

Standards Respecting
Vehicle Weights and Dimensions Limits
in Atlantic Canada

1. Vehicle Weight and Dimension Limits

(a) General Dimensional Limits

Dimension	Limit
1. Overall Height Limit	Max 4.15 m
2. Overall Width Limit	Max 2.6 m
3. Overall Length Limit	
Tractor Semitrailer	Max 23 m
A, B and C Train Doubles	Max 25 m
Truck - Pony Trailer Combination	Max 23 m
Truck - Full Trailer Combination	Max 23 m
4. Box Length Limit	
A, B and C Trains	Max 20.0 m
Truck Trailer Combinations	Max 20.0 m
5. Trailer Length Limits	
Semitrailer	Max 16.2 m
Full Trailer	Max 12.5 m
Pony Trailer	Max 12.5 m

(b) Dimensional Controls - Wheelbases, Interaxle Spacings and Overhangs

Dimension	Limit
1. Tractor Wheelbase	Max 6.2 m ¹
2. Trailer Wheelbase Semitrailer Full Trailer Pony Trailer	Min 6.25 m/Max 12.5 m Min 6.25 m Min 6.25 m
3. Effective Rear Overhang Straight Trucks Semitrailers Full Trailers Pony Trailers	Max 4.0 m Max 35% of wheelbase Max 35% of wheelbase Max 4.0 m
4. Rear Overhang ²	Max 2.0 m
5. Front Overhang ³	Max 1.0 m
6. Kingpin Setback (Semitrailers)	Max 2.0 m radius
7. Track Width Semitrailers, Full Trailers and Pony Trailers With dual tires With single tires ⁴	Min 2.5 m Min 2.45 m
8. Minimum Interaxle Spacing Requirements ⁵ Single - Single ⁶ Single - Tandem ⁶ Single - Tridem Tandem - Tandem Tandem - Tridem	Min 3.0 m Min 3.0 m Min 5.0 m Min 5.0 m Min 5.5 m

¹ The tractor wheelbase can be up to 7.2 metres in a tractor-semi-trailer configuration, provided the wheelbase of the semi-trailer is reduced in accordance with Table A.

² Cargo may overhang the rear of the transporting truck or trailer up to 2.0 metres, provided the overall length and effective rear overhang limits are respected. Red warning flags are required on the rear of the cargo when the rear overhang exceeds 1.0 metre.

³ Cargo may overhang the front of the transporting truck or trailer by up to 1.0 metre, provided the overall length limit for the vehicle or vehicle combination is not exceeded, and in the case of semi-trailers, the cargo does not extend beyond a 2 metre radius about the kingpin.

⁴ The minimum track width for trailers fitted with single tires and manufactured prior to 2010 is 2.3 metres.

⁵ Vehicle combinations which do not comply with the minimum interaxle spacing requirements, but which comply with all other dimensional limits, will be subject to a reduction in allowable Gross Weight Limit of 1000 kg for each 0.5 metre shortfall in required interaxle spacing.

⁶ The minimum interaxle spacing requirements must always be met by tractors.

Table A - Maximum Semitrailer Wheelbase for Tractor Wheelbase >6.2 metres

Tractor Wheelbase	Maximum Semitrailer Wheelbase
6.3 m	≤12.47 m
6.4 m	≤12.40 m
6.5 m	≤12.33 m
6.6 m	≤12.27 m
6.7 m	≤12.20 m
6.8 m	≤12.13 m
6.9 m	≤12.07 m
7.0 m	≤12.00 m
7.1 m	≤11.93 m
7.2 m	≤11.87 m
> 7.2 m	Not permitted

(c) Axle Weight Limits

Axle Type	Application	Spread Range	Weight Limit
1. Steering	Straight Truck	N/A	8000 kg*
	Intercity Bus	N/A	7250 kg*
	Tractor	N/A	5500 kg*
2. Tandem Steering Axle**	Straight Truck	1.2 m to 2.2 m	16 000 kg
3. Single (other than steering axle)	Single Tires (<445 mm)	N/A	6000 kg
	Single Tires (≥445 mm)	N/A	7700 kg
	Dual Tires	N/A	9100 kg
4. Tandem Axle (including tandem equivalent axles)	Truck, Tractor or Trailer -Dual Tires	less than 1.2 m 1.2 m to 1.85 m	9100 kg 18 000 kg
	Truck, Tractor or Trailer -Single Tires (width ≥ 445 mm)	less than 1.2 m 1.2 m to 1.85 m	7700 kg 15 400 kg
5. Tridem Axle (including tridem equivalent axles)	Trailers - Dual Tires	less than 2.4 m	18 000 kg
		2.4 m to less than 3.0 m	21 000 kg
		3.0 m to less than 3.6 m	24 000 kg
		3.6 m to 3.7 m	26 000 kg
	Trailers - Single Tires width ≥ 445 mm)	less than 2.4 m	15 400 kg
		2.4 m to less than 3.0 m	21 000 kg
		3.0 m to less than 3.6 m	23 000 kg
		3.6 m to 3.7 m	23 100 kg
6. Triaxle Axle (model year 2003 and newer)	Trailers	3.0 m to less than 3.6 m	18 000 kg
		3.6 m to less than 4.2 m	18 000 kg
		4.2 m to 4.8 m	18 000 kg

* Steering axle loads can be as high as 9100 kg provided the load carrying capacity of the axles, tires, and all other components is not exceeded, and the tire loading does not exceed 10 kg per mm of tire width. However, no increase in the specified Gross Vehicle Weight for the configuration will be permitted with higher steering axle loads.

** Both axles in a tandem steering axle must be actively controlled by the driver; passive or self-steering axles are not permitted.

(d) Other Weight Related Limits

<p>Axle Groups - Load Equalization</p>	<p>Max 1000 kg difference between adjacent axles in tandem, tandem equivalent, tridem and tridem equivalent axle groups</p>
<p>Tire Loading - per mm of tire width - per tire: width < 445 mm - per tire: width 445 mm and greater</p>	<p>Max 10 kg per mm Max 3000 kg* Max 3850 kg*</p>

* excluding steering axles

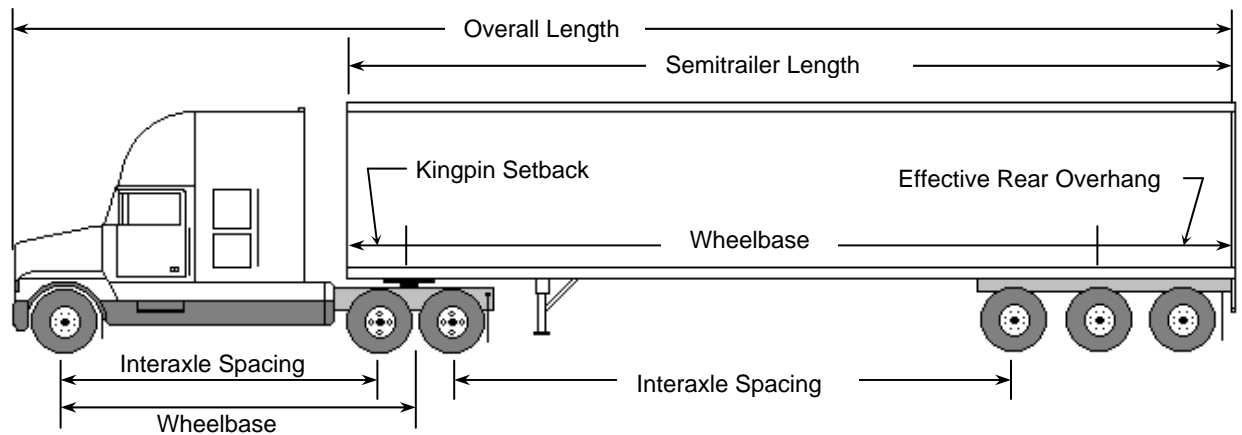
(e) Weight Related Tolerances

There are no automatically applied tolerances associated with axle or vehicle weight limits, published or not.

Schedule B

Summary of Vehicle Weights and Dimensions
Limits by Configuration

Category 1: Tractor Semitrailer
Part 1 - Dimension Limits



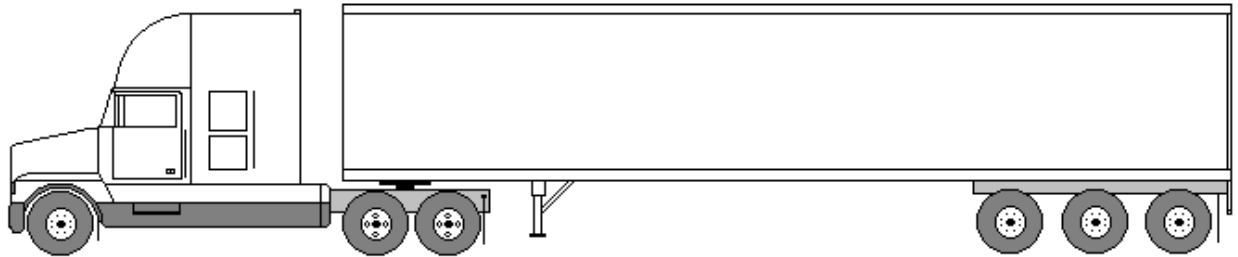
DIMENSION	LIMIT
Overall Length	Maximum 23 m
Overall Width	Maximum 2.6 m
Overall Height	Maximum 4.15 m
Tractor:	
Wheelbase	Maximum 6.2 m ⁷
Tandem Axle Spread	Minimum 1.2 m/Maximum 1.85 m
Semitrailer	
Length	Maximum 16.2 m
Wheelbase	Minimum 6.25 m/Maximum 12.5 m
Kingpin Setback	Maximum 2.0 m radius
Effective Rear Overhang	Maximum 35% of wheelbase

⁷ The tractor wheelbase can be up to 7.2 m in a tractor-semitrailer configuration, provided the wheelbase of the semitrailer is reduced in accordance with Table A.

DIMENSION	LIMIT
Tandem Axle Spread	Minimum 1.2 m/Maximum 1.85 m
Tridem Axle Spread	Minimum 2.4 m/Maximum 3.7 m
Track Width: With dual tires	Minimum 2.5 m/Maximum 2.6 m
With single tires ⁸	Minimum 2.45 m/Maximum 2.6 m
Interaxle Spacings	
Single Axle to Single, Tandem or Tridem Axle	Minimum 3.0 m
Tandem Axle to Tandem Axle	Minimum 5.0 m
Tandem Axle to Tridem Axle	Minimum 5.5 m

⁸ The minimum track width for trailers fitted with single tires and manufactured prior to 2010 is 2.3 metres.

Category 1: Tractor Semitrailer
Part 2 - Weight Limits



Max 5500 kg*

Single Axle - Max 9100 kg
 Tandem Axle - Max 18 000 kg

Single Axle - Max 9100 kg
 Tandem Axle - Max 18 000 kg
 Tridem Axle - Spread:
 2.4 m to < 3.0 m - Max 21 000 kg
 3.0 m to < 3.6 m - Max 24 000 kg
 3.6 m to 3.7 m - Max 26 000 kg

WEIGHT^{9 10}	LIMIT
Axle Weights:	
Steering Axle	Maximum 5500 kg*
Single Axle (dual tires)	Maximum 9100 kg
Tandem Axle:	
Axle Spread 1.2 m to 1.85 m	Maximum 18 000 kg
Tridem Axle:	
Axle Spread 2.4 m - less than 3.0 m	Maximum 21 000 kg
Axle Spread 3.0 m - less than 3.6 m	Maximum 24 000 kg
Axle Spread 3.6 m - 3.7 m	Maximum 26 000 kg
Gross Vehicle Weight Limits	
Three Axles	Maximum 23 700 kg
Four Axles	Maximum 32 600 kg

⁹ When an axle, other than a steering axle, is fitted with two single tires, each of which has a width of 445 mm or greater, the weight cannot exceed 7700 kg for single axles, 15,400 kg for tandem axle groups, 21,000 kg for tridem axle groups with spread from 2.4 m to <3.0 m, 23,000 kg for tridem axle groups with spread from 3.0 m to <3.6 m and 23,100 kg for tridem axle groups with spread from 3.6 m to 3.7 m.

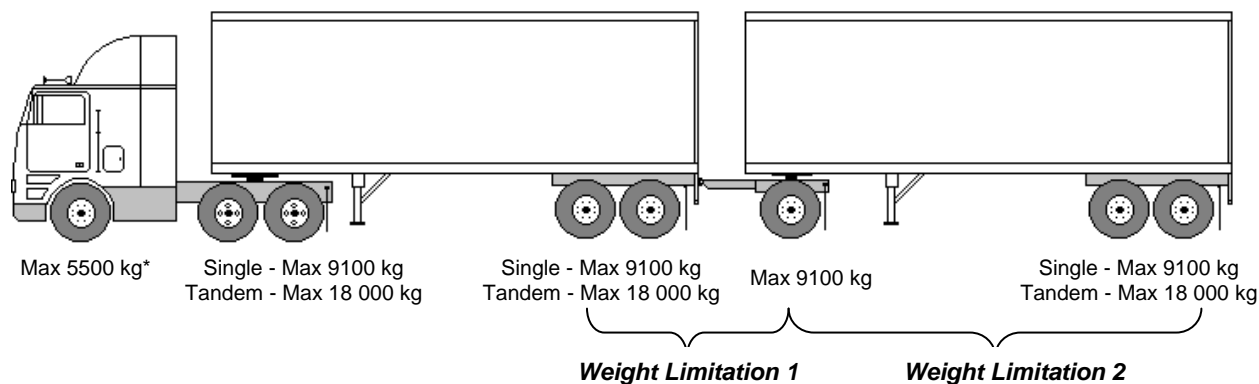
¹⁰ An additional allowance of up to 225 kg will be provided on the combined weight of the tractor steering axle and drive axle group of a vehicle in *Category 1: Tractor-Semitrailer* if the tractor is equipped with a functioning Auxiliary Power Unit. In such cases the Gross Vehicle Weight limit for the combination will also increase up to a maximum of 225 kg to accommodate the increased weight of the tractor.

WEIGHT^{9 10}	LIMIT
Five Axles	Maximum 41 500 kg
Six Axles - with 2.4 to < 3.0 m spread tridem	Maximum 44 500 kg
with 3.0 m to < 3.6 m spread tridem	Maximum 47 500 kg
with 3.6 to 3.7 m spread tridem	Maximum 49 500 kg

* The steering axle weight can be as high as 9100 kg provided the load carrying capacity of the axle, tires and all other components is not exceeded, and the tire loading does not exceed 10 kg per mm of width. However, the Gross Vehicle Weight limit will be based on a steering weight of 5500 kg.

DIMENSION	LIMIT
Single Axle to Single or Tandem Axle	Minimum 3.0 m
Tandem Axle to Tandem Axle	Minimum 5.0 m
Dimension "A" (from the centre of last axle on the lead semitrailer to the centre of the first axle on the converter dolly or second trailer)	Not controlled

Category 2: A Train Double
Part 2 - Weight Limits



WEIGHT ¹²	LIMIT
Axle Weight Limits:	
Steering Axle	Maximum 5500 kg*
Single Axle (dual tires)	Maximum 9100 kg
Tandem Axle:	
Axle Spread 1.2 m to 1.85 m	Maximum 18 000 kg
Weight Limitation 1: Sum of Axle Weights of Lead Semitrailer Plus Weight of Converter Dolly Axle	If Dimension "A" is less than 3 metres, the weight of the axle(s) on the lead semitrailer plus the weight of the converter dolly axle(s) is limited to a maximum of 18,000 kg for a two axle group or a maximum of 24,000 kg for a three axle group.
Weight Limitation 2: Sum of Axle Weights of Full Trailer or Second Semitrailer	The weight of the second trailer must not exceed the weight of the tractor drive axle(s) plus the weight of the axle(s) on the first semitrailer.
Gross Vehicle Weight Limits:	
Five Axles	Maximum 41 900 kg
Six Axles	Maximum 50 800 kg
Seven Axles	Maximum 53 500 kg

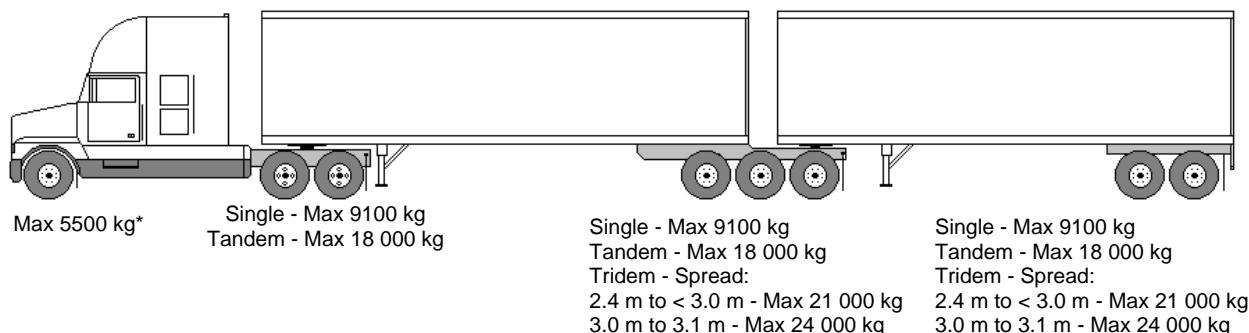
¹² When an axle, other than a steering axle, is fitted with two single tires, each of which has a width of 445 mm or greater, the weight cannot exceed 7700 kg for single axles and 15,400 kg for tandem axle groups.

WEIGHT¹²	LIMIT
Eight Axles	Maximum 53 500 kg

*The steering axle weight can be as high as 9100 kg provided the load carrying capacity of the axle, tires, and all other components is not exceeded, and the tire loading does not exceed 10 kg per mm of width. However, the Gross Vehicle Weight limit will be based on a steering axle weight of 5500 kg.

DIMENSION	LIMIT
With single tires ¹³	Minimum 2.45 m/Maximum 2.6 m
Sum of Semitrailer Wheelbases	Maximum 17.0 m
Interaxle Spacings	
Single Axle to Single or Tandem Axle	Minimum 3.0 m
Tandem Axle to Tandem Axle	Minimum 5.0 m
Tandem Axle to Tridem Axle	Minimum 5.5 m

Category 3: B Train Double
Part 2 - Weight Limits



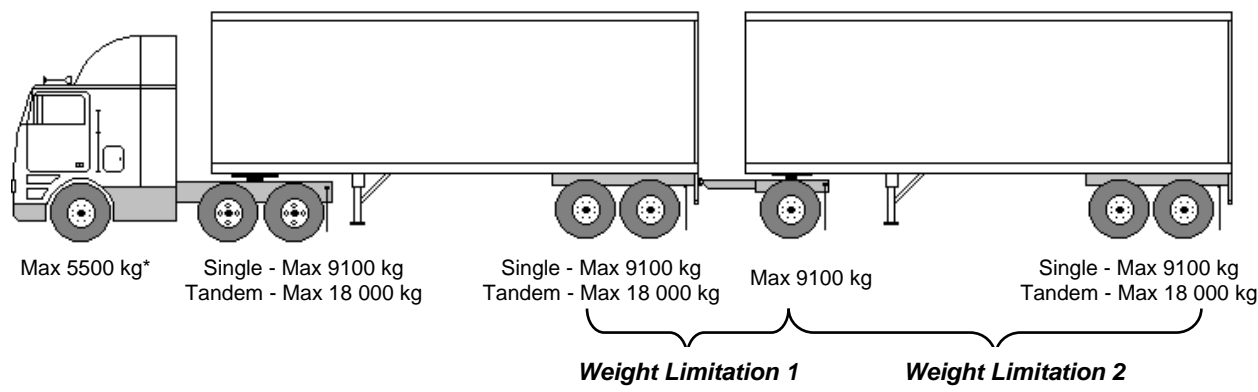
WEIGHT ¹⁴	LIMIT
Axle Weight Limits:	
Steering Axle	Maximum 5500 kg*
Single Axle (dual tires)	Maximum 9100 kg
Tandem Axle:	
Axle Spread 1.2 m to 1.85 m	Maximum 18 000 kg
Tridem Axle:	
Axle Spread 2.4 m to less than 3.0 m	Maximum 21 000 kg
Axle Spread 3.0 m to 3.1 m	Maximum 24 000 kg
Gross Vehicle Weight Limits:	
Six Axles	Maximum 50 600 kg
Seven Axles	Maximum 59 500 kg
Eight Axles	Maximum 62 500 kg
Nine Axles	Maximum 62 500 kg

* The steering axle weight can be as high as 9100 kg provided the load carrying capacity of the axle, tires, and all other components is not exceeded, and the tire loading does not exceed 10 kg per mm of width. However, the Gross Vehicle Weight limit will be based on a steering axle weight of 5500 kg.

¹⁴ When an axle, other than a steering axle, is fitted with two single tires, each of which has a width of 445 mm or greater, the weight cannot exceed 7700 kg for single axles, 15,400 kg for tandem axle groups, 21,000 kg for tridem axle groups with spread from 2.4 m to <3.0 m and 23,000 kg for tridem axle groups with spread from 3.0 m to 3.1 m.

DIMENSION	LIMIT
Interaxle Spacings	
Single Axle to Single or Tandem Axle	Minimum 3.0 m
Tandem Axle to Tandem Axle	Minimum 5.0 m
Dimension "A" (from the centre of last axle on the lead semitrailer to centre of the first axle on the converter dolly or second trailer)	Not controlled

Category 4: C Train Double
Part 2 - Weight Limits

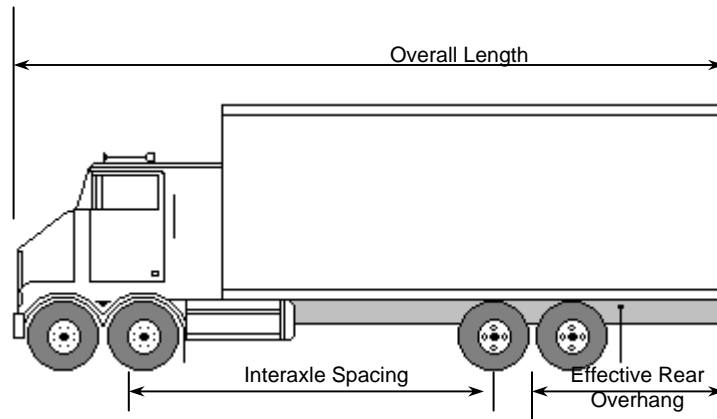
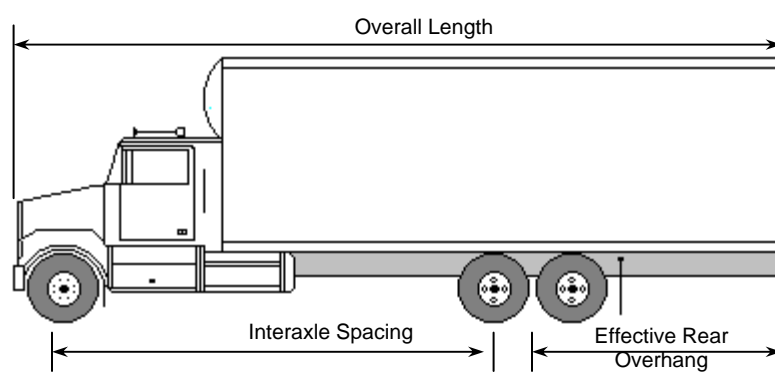


WEIGHT ¹⁶	LIMIT
Axle Weight Limits:	
Steering Axle	Maximum 5500 kg*
Single Axle (dual tires)	Maximum 9100 kg
Tandem Axle:	
Axle Spread 1.2 m to 1.85 m	Maximum 18 000 kg
Weight Limitation 1: Sum of Axle Weights of Lead Semitrailer Plus Weight of Converter Dolly Axle	If Dimension "A" is less than 3 metres, the weight of the axle(s) on the lead semitrailer plus the weight of the converter dolly axle(s) is limited to a maximum of 18,000 kg for a two axle group or a maximum of 24,000 kg for a three axle group.
Weight Limitation 2: Sum of Axle Weights of Full Trailer or Second Semitrailer	The weight of the second trailer must not exceed the weight of the tractor drive axle(s) plus the weight of the axle(s) on the first semitrailer.
Gross Vehicle Weight Limits:	
Five Axles	Maximum 41 900 kg
Six Axles	Maximum 50 800 kg
Seven Axles	Maximum 55 600 kg
Eight Axles	Maximum 58 500 kg

¹⁶ When an axle, other than a steering axle, is fitted with two single tires, each of which has a width of 445 mm or greater, the weight cannot exceed 7700 kg for single axles and 15,400 kg for tandem axle groups.

- * The steering axle weight can be as high as 9100 kg provided the load carrying capacity of the axle, tires, and all other components is not exceeded, and the tire loading does not exceed 10 kg per mm of width. However, the Gross Vehicle Weight limit will be based on a steering axle weight of 5500 kg.

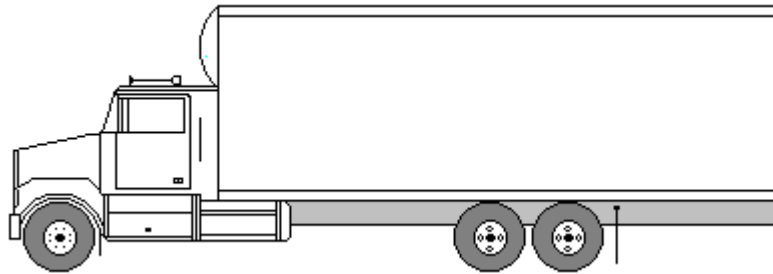
Category 5: Straight Truck
Part 1 - Dimension Limits



DIMENSION	LIMIT
Overall Length	Maximum 12.5 m
Overall Width	Maximum 2.6 m
Overall Height	Maximum 4.15 m
Box Length	Not Controlled
Wheelbase	Not controlled
Tandem Steering Axle Spread	Minimum 1.2 m/Maximum 2.2 m
Tandem Axle Spread	Minimum 1.2 m/Maximum 1.85 m
Effective Rear Overhang	Maximum 4.0 m

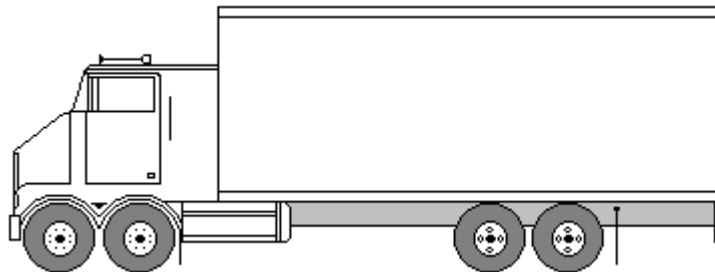
DIMENSION	LIMIT
Interaxle Spacings	
Single Axle to Single or Tandem Axle	Minimum 3.0 m
Tandem Steering Axle to Tandem Axle	Minimum 3.65 m

Category 5: Straight Truck
Part 2 - Weight Limits



Max 8000 kg*

Single - Max 9100 kg
 Tandem - Max 18 000 kg



Tandem Steering Axle
 Max 16 000 kg

Tandem Drive Axle
 Max 18 000 kg

WEIGHT ¹⁷	LIMIT
Axle Weights:	
Steering Axle - single axle, single tires	Maximum 8000 kg*
- tandem axle, single tires	Maximum 16 000 kg
Single Axle (dual tires)	Maximum 9100 kg
Tandem Drive Axle:	
Axle Spread 1.2 m to 1.85 m	Maximum 18 000 kg
Gross Vehicle Weight Limits:	
Two Axles	Maximum 17 100 kg

¹⁷ When an axle, other than a steering axle, is fitted with two single tires, each of which has a width of 445 mm or greater, the weight cannot exceed 7700 kg for single axles and 15,400 kg for tandem axle groups.

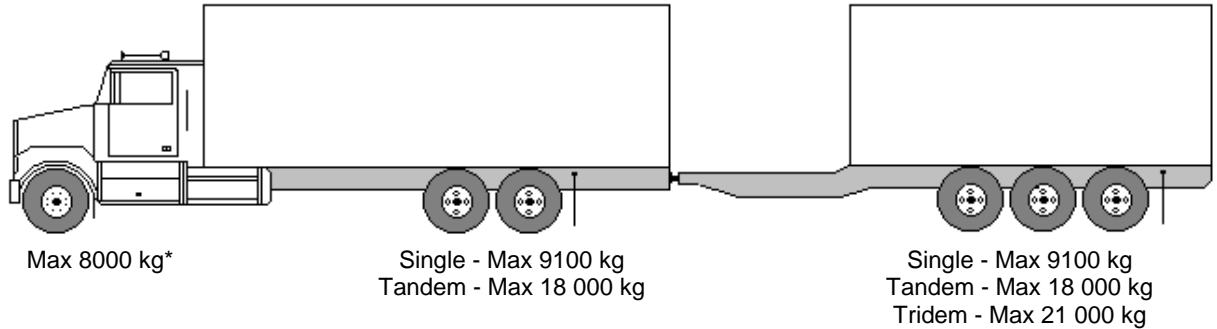
WEIGHT¹⁷	LIMIT
Three Axles	Maximum 26 000 kg
Four Axles	Maximum 34 000 kg

* The steering axle weight can be as high as 9100 kg provided the load carrying capacity of the axle, tires, and all other components is not exceeded, and the tire loading does not exceed 10 kg per mm of width. However, the Gross Vehicle Weight limit will be based on a steering axle weight of 8000 kg for single steering axle straight trucks.

DIMENSION	LIMIT
Effective Rear Overhang	Maximum 4.0 m
Interaxle Spacings	
Single Axle to Single, Tandem or Tridem Axle	Minimum 3.0 m
Tandem Axle to Tandem Axle	Minimum 5.0 m
Tandem Axle to Tridem Axle	Minimum 5.5 m

* Dimension limits not applicable to pony trailers with Gross Vehicle Weight Rating of less than 10 000 kg.

Category 6: Truck - Pony Trailer Combination
Part 2 - Weight Limits



WEIGHTS ¹⁹	LIMITS
Axle Weight Limits:	
Steering Axle	Maximum 8000 kg*
Single Axle (dual tires)	Maximum 9100 kg
Tandem Axle:	
Axle Spread 1.2 m to 1.85 m	Maximum 18 000 kg
Tridem Axle:	
Axle Spread 2.4 m - 3.7 m	Maximum 21 000 kg
Gross Vehicle Weight Limits:	
Three Axles	Maximum 26 200 kg
Four Axles	Maximum 35 100 kg
Five Axles	Maximum 44 000 kg
Six Axles	Maximum 47 000 kg

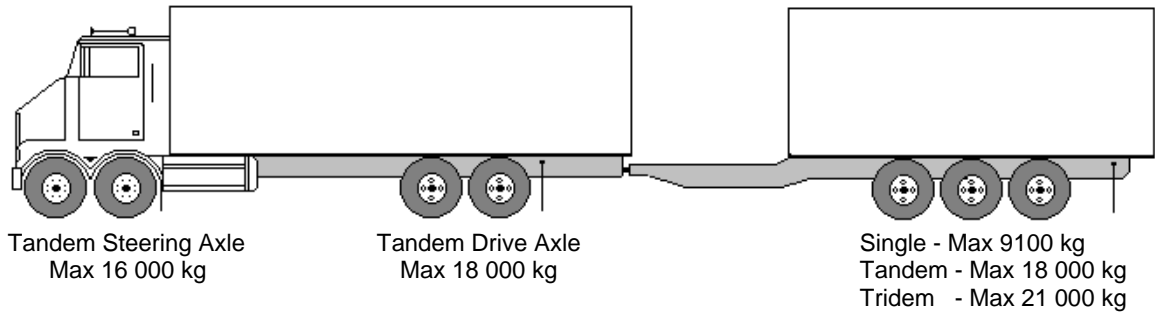
* The steering axle weight can be as high as 9100 kg provided the load carrying capacity of the axle, tires, and all other components is not exceeded, and the tire loading does not exceed 10 kg per mm of width. However, the Gross Vehicle Weight limit will be based on a steering axle weight of 8000 kg.

¹⁹ When an axle, other than a steering axle, is fitted with two single tires, each of which has a width of 445 mm or greater, the weight cannot exceed 7700 kg for single axles, 15,400 kg for tandem axle groups and 21,000 kg for tridem axle groups.

DIMENSION	LIMIT
Interaxle Spacings	
Tandem Steering Axle to Tandem Drive Axle	Minimum 3.65 m
Single Axle to Single, Tandem or Tridem Axle	Minimum 3.0 m
Tandem Axle to Tandem Axle	Minimum 5.0 m
Tandem Axle to Tridem Axle	Minimum 5.5 m

* Limits not applicable to pony trailers with Gross Vehicle Weight Rating of less than 10 000 kg.

Category 7: Tandem Steering Axle Truck - Pony Trailer Combination
Part 2 - Weight Limits

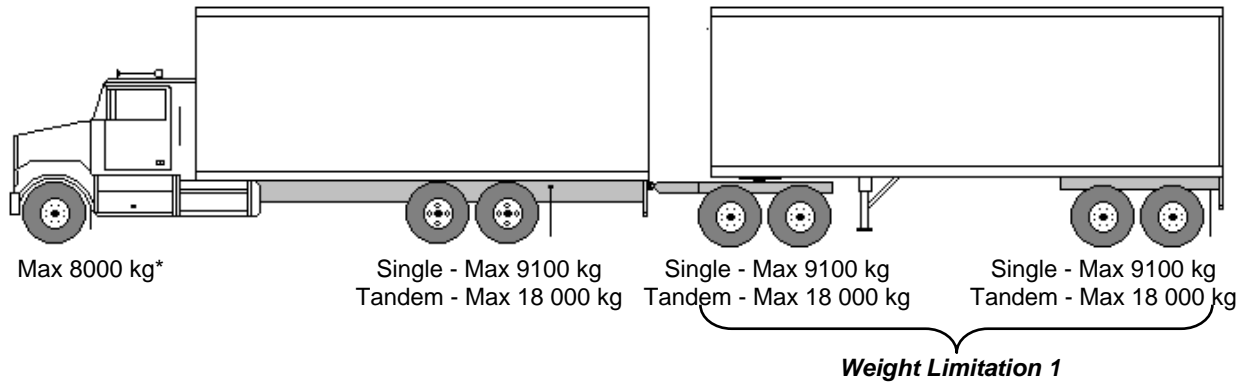


WEIGHTS ²¹	LIMITS
Axle Weight Limits:	
Truck:	
Tandem Steering Axle: Spread 1.2 m to 2.2 m	Maximum 16 000 kg
Tandem Drive Axle: Spread 1.2 m to 1.85 m	Maximum 18 000 kg
Trailer:	
Single Axle (dual tires)	Maximum 9100 kg
Tandem Axle: Spread 1.2 m to 1.85 m	Maximum 18 000 kg
Tridem Axle: Spread 2.4 m - 3.7 m	Maximum 21 000 kg
Gross Vehicle Weight Limits:	
Five Axles	Maximum 43 100 kg
Six Axles	Maximum 50 000 kg
Seven Axles	Maximum 53 500 kg

²¹ When an axle, other than a steering axle, is fitted with two single tires, each of which has a width of 445 mm or greater, the weight cannot exceed 7700 kg for single axles, 15,400 kg for tandem axle groups and 21,000 kg for tridem axle groups.

DIMENSION	LIMIT
Converter Dolly	The use of a double drawbar or C Dolly is not permitted on this combination
Interaxle Spacings	
Single Axle to Single or Tandem Axle	Minimum 3.0 m
Tandem Axle to Tandem Axle	Minimum 5.0 m

Category 8: Truck - Full Trailer Combination
Part 2 - Weight Limits

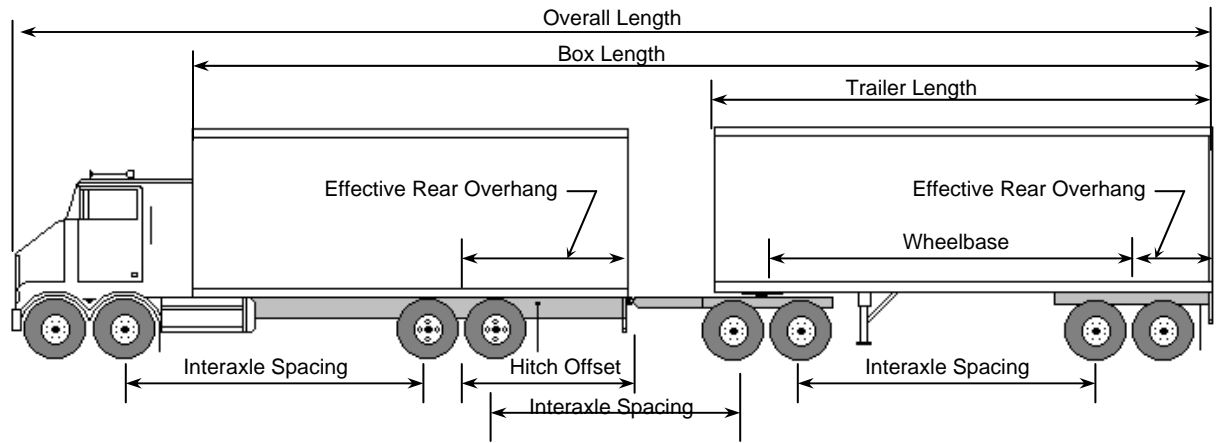


WEIGHT ²³	LIMIT
Axle Weight Limits:	
Steering Axle	Maximum 8000 kg*
Single Axle (dual tires)	Maximum 9100 kg
Tandem Axle:	
Axle Spread 1.2 m to 1.85 m	Maximum 18 000 kg
Weight Limitation 1:	
Sum of Axle Weights of Full Trailer	
4 Axle Truck-Trailer Combination	Maximum 17 000 kg
5 Axle Truck-Trailer Combination	Maximum 17 000 kg
6 Axle Truck-Trailer Combination	Maximum 24 000 kg
7 Axle Truck-Trailer Combination	Maximum 31 000 kg
Gross Vehicle Weight Limits:	
Four Axles	Maximum 34 100 kg
Five Axles	Maximum 43 000 kg
Six Axles	Maximum 50 000 kg
Seven Axles	Maximum 53 500 kg

²³ When an axle, other than a steering axle, is fitted with two single tires, each of which has a width of 445 mm or greater, the weight cannot exceed 7700 kg for single axles and 15,400 kg for tandem axle groups.

- * The steering axle weight can be as high as 9100 kg provided the load carrying capacity of the axle, tires, and all other components is not exceeded, and the tire loading does not exceed 10 kg per mm of width. However, the Gross Vehicle Weight limit will be based on a steering axle weight of 8000 kg.

Category 9: Tandem Steering Axle Truck - Full Trailer Combination
Part 1 - Dimension Limits

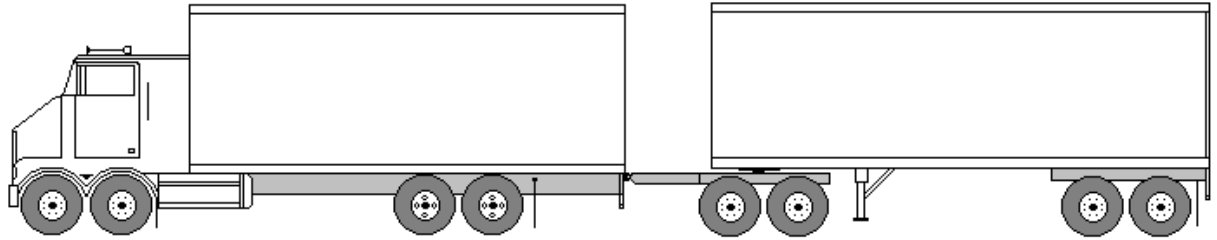


DIMENSION	LIMIT
Overall Length	Maximum 23 m
Overall Width	Maximum 2.6 m
Overall Height	Maximum 4.15 m
Box Length	Maximum 20 m
Truck:	
Length	Maximum 12.5 m
Wheelbase	Not controlled
Tandem Steering Axle Spread	Minimum 1.2 m/Maximum 2.2 m
Tandem Drive Axle Spread	Minimum 1.2 m/Maximum 1.85 m
Effective Rear Overhang	Maximum 4.0 m
Hitch Offset	Maximum 1.8 m
Full Trailer	
Length	Maximum 12.5 m
Wheelbase	Minimum 6.25 m
Tandem Axle Spread	Minimum 1.2 m/Maximum 1.85 m
Track Width: With dual tires	Minimum 2.5 m/Maximum 2.6 m
With single tires ²⁴	Minimum 2.45 m/Maximum 2.6 m
Effective Rear Overhang	Maximum 35% of wheelbase

²⁴ The minimum track width for trailers fitted with single tires and manufactured prior to 2010 is 2.3 metres.

DIMENSION	LIMIT
Converter Dolly	The use of a double drawbar or C Dolly is not permitted on this combination
Interaxle Spacings	
Tandem Steering Axle to Tandem Drive Axle	Minimum 3.65 m
Single Axle to Single or Tandem Axle	Minimum 3.0 m
Tandem Axle to Tandem Axle	Minimum 5.0 m

Category 9: Tandem Steering Axle Truck - Full Trailer Combination
Part 2 - Weight Limits



Tandem Steering Axle
 Max 16 000 kg

Tandem Drive Axle
 Max 18 000 kg

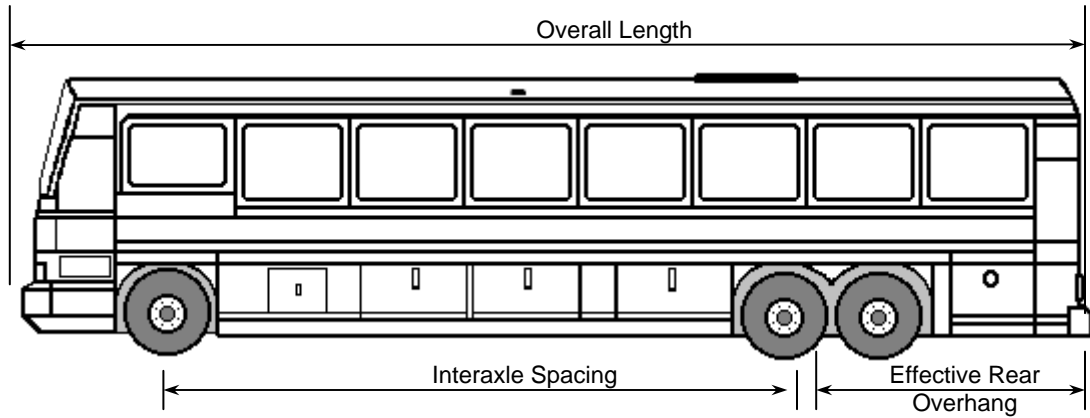
Single - Max 9100 kg
 Tandem - Max 18 000 kg

Single - Max 9100 kg
 Tandem - Max 18 000 kg

WEIGHT ²⁵	LIMIT
Axle Weight Limits:	
Tandem Steering Axle	Maximum 16 000 kg
Single Axle (dual tires)	Maximum 9100 kg
Tandem Drive Axle:	
Axle Spread 1.2 m to 1.85 m	Maximum 18 000 kg
Gross Vehicle Weight Limits:	
Six Axles	Maximum 51 000 kg
Seven Axles	Maximum 53 500 kg
Eight Axles	Maximum 53 500 kg

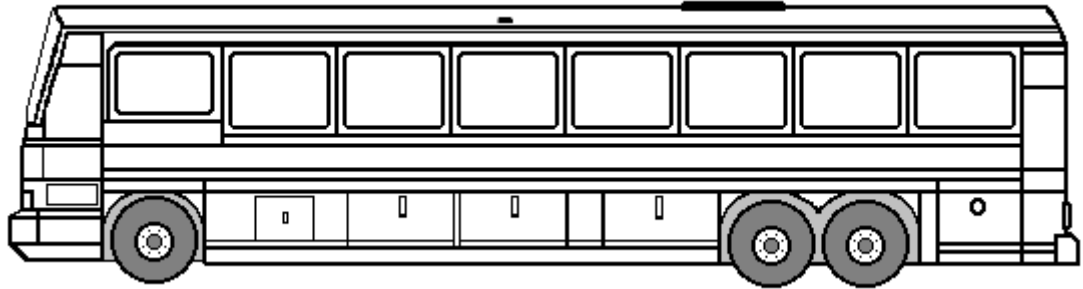
²⁵ When an axle, other than a steering axle, is fitted with two single tires, each of which has a width of 445 mm or greater, the weight cannot exceed 7700 kg for single axles and 15,400 kg for tandem axle groups.

Category 10: Intercity Bus
Part 1 - Dimension Limits



DIMENSION	LIMIT
Overall Length	Maximum 14.0 m
Overall Width	Maximum 2.6 m
Overall Height	Maximum 4.15 m
Wheelbase	Not controlled
Tandem Axle Spread	Minimum 1.2 m/Maximum 1.85 m
Effective Rear Overhang	Maximum 4.0 m
Axle Requirements:	
Overall length 12.5 m or less	Not controlled
Overall length greater than 12.5 m	Minimum 3 axles

Category 10: Intercity Bus
Part 2 - Weight Limits



Max 7250 kg*

Single Axle (single tires) - Max 6000 kg
 Single Axle (dual tires) - Max 9100 kg
 Tandem Axle - Max 18 000 kg

WEIGHT	LIMIT
Axle Weights:	
Steering Axle	Maximum 7250 kg*
Single Axle (dual tires)	Maximum 9100 kg
Single Axle (single tires)	Maximum 6000 kg
Tandem Axle (dual tires on both axles)	Maximum 18 000 kg
Gross Vehicle Weight Limits:	
Two axles (4 tires)	Maximum 13 250 kg
Two Axles (6 tires)	Maximum 16 350 kg
Three axles (8 tires)	Maximum 20 900 kg
Three axles (10 tires)	Maximum 25 250 kg

*** The steering axle weight can be as high as 9100 kg provided the load carrying capacity of the axle, tires, and all other components is not exceeded, and the tire loading does not exceed 10 kg per mm of width. However, the Gross Vehicle Weight limit will be based on a steering weight of 7250 kg.**

Schedule C

Weight Knockdown Formula

Adjacent Axle Groups	Observed Spacing	GVW Reduction
Single Axle-Single Axle		
(Min 3.0 m required)	2.5-2.99 m	1000 kg
	2.0-2.49 m	2000 kg
	1.5-1.99 m	3000 kg
	1.0-1.49 m	4000 kg
Single Axle-Tandem		
(Min 3.0 m required)	2.5-2.99 m	1000 kg
	2.0-2.49 m	2000 kg
	1.5-1.99 m	3000 kg
	1.0-1.49 m	4000 kg
Single-Tridem		
(Min 3.0 m required)	2.5-2.99 m	1000 kg
	2.0-2.49 m	2000 kg
	1.5-1.99 m	3000 kg
	1.0-1.49 m	4000 kg
Tandem-Tandem		
(Min 5.0 m required)	4.5-4.99 m	1000 kg
	4.0-4.49 m	2000 kg
	3.5-3.99 m	3000 kg
	3.0-3.49 m	4000 kg
	2.5-2.99 m	5000 kg
	2.0-2.49 m	6000 kg
	1.5-1.99 m	7000 kg
	1.0-1.49 m	8000 kg
Tandem-Tridem		
(Min 5.5 m required)	5.0-5.49 m	1000 kg
	4.50-4.99 m	2000 kg
	4.0-4.49 m	3000 kg
	3.5-3.99 m	4000 kg
	3.0-3.49 m	5000 kg
	2.5-2.99 m	6000 kg
	2.0-2.49 m	7000 kg
	1.5-1.99 m	8000 kg
	1.0-1.49 m	9000 kg

Schedule D

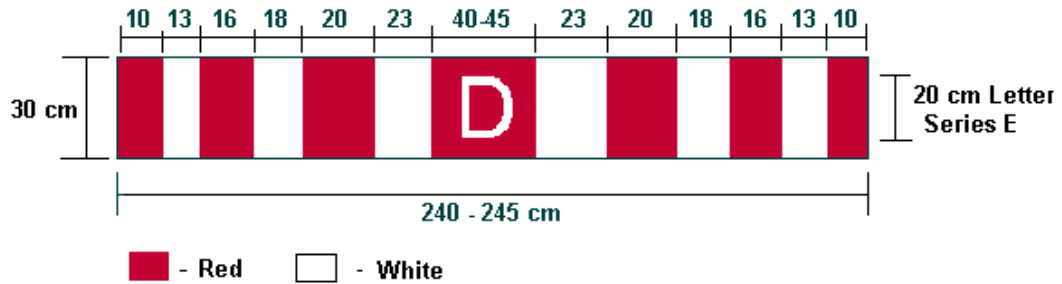
Overdimensional or "D" Signs

The "D" Sign has been adopted to identify overdimensional vehicles. Use of Wide Load, Long Load or Oversize Load signs is not permitted or recognized as suitable alternatives.

For Oversize Vehicle:

The vehicle transporting an overdimensional load must be equipped with warning "D" signs at front and rear which meet the following specifications:

Section Widths (cm)



Colour: White level II reflectance and stop sign red (# 712 3M or equivalent)

Material: The sign panel must be fabricated of retroreflective material.

For Escort Vehicle:

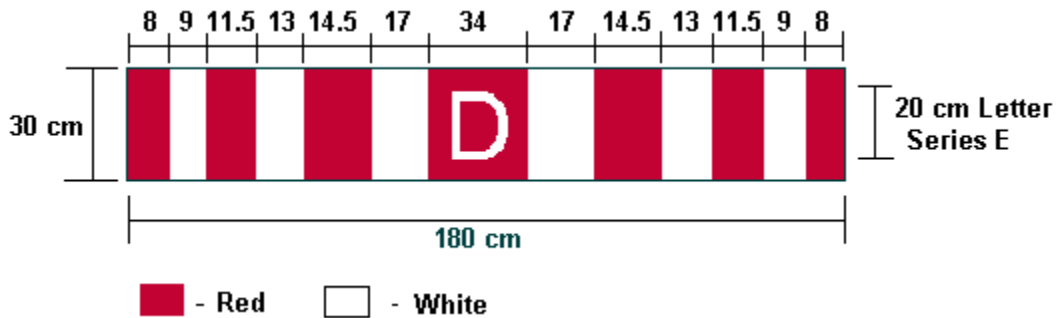
The escort vehicle must be equipped with either warning "D" signs or a lighted sign box. The sign or lighted sign box must be visible to approaching traffic:

- from the front when leading an overdimensional vehicle or load
- from the rear when following an overdimensional vehicle or load.

If warning "D" Signs are used, they must meet the following specifications:

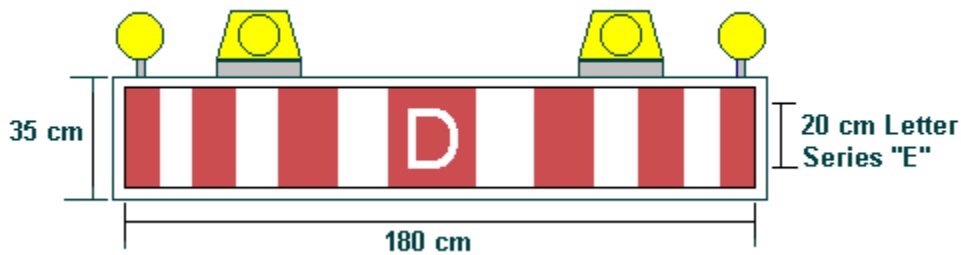
Small Sign

Section Widths (cm)



If a lighted sign box is used, it must meet the following specifications:

- the sign must be upright when in use, and clearly visible from the front and rear of the vehicle (the sign must be folded flat when not in use or not required, or must be removed from the vehicle)



Box Dimensions - the box must be 180 centimetres x 35 centimetres x 10 centimetres and constructed of mild steel material with inside and outside surfaces of baked white enamel. The box must shelter all wire connectors, switches, flashers, etc.

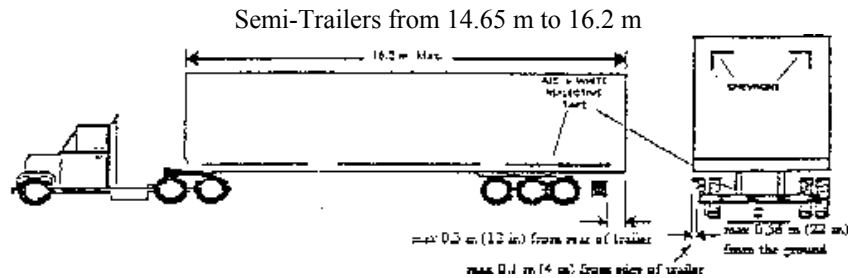
Illumination - A sufficient number of lamps must be mounted in the box and spaced to give even lighting of the sign background across its full width.

Sign Panel - the sign panel must be 3 millimetres thick, with a white plexi-glass background with red bars painted with transparent red paint. The letter "D" must be white in color and must be 20 centimetres high, Series E.

Outboard Lights - must consist of two 175-millimetre (minimum) amber lights with reflectors, rated at 12.5 volts, 3 amps and 0.50 candela with a rated life of 300 hours.

Inboard Lights - must consist of 2 standard 203-millimetre rotating amber lights, with 2 sealed beam units per lamp.

Schedule E



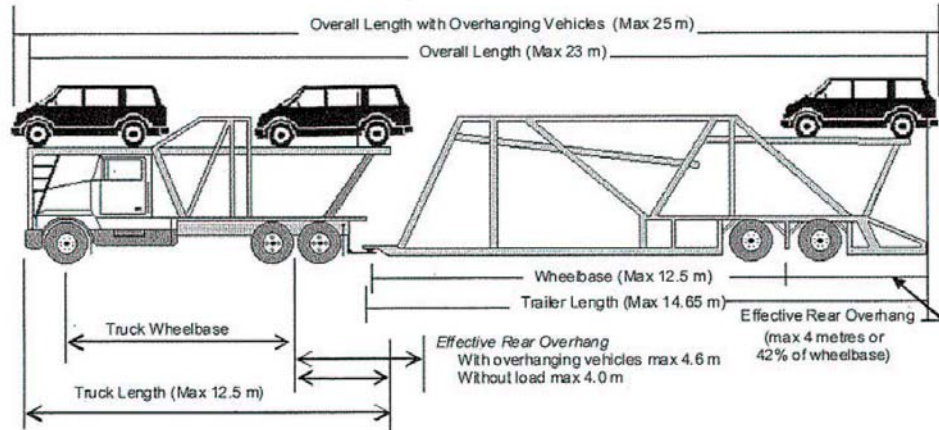
1. Semi-trailers greater than 14.65 metres in length may not be equipped with a liftable axle.
2. Semi-trailers greater than 14.65 metres in length and manufactured after July 14, 1993 must be equipped with the following conspicuity requirements:
 - Alternating red and white reflective tape 5 cm wide along the sides and rear of the trailer.
 - As close to 1.2 m above the road as possible.
 - Must cover at least half the trailer length.
 - No more than 2/3 in one colour.
 - Alternating red and white reflective segments along the rear under ride protection.
 - White reflective chevron 30 cm long in upper corners of rear.

Semi-trailers greater than 14.65 metres in length and manufactured on or before July 14, 1993 must be equipped with the above conspicuity requirements by January 1, 2002.

3. Semi-trailers greater than 14.65 metres in length and built after July 14, 1993 and
 - (a) equipped with sliding axles or fixed axles with more than 0.3 m rear overhang; or
 - (b) the bottom of the rear structure of the trailer is more than 0.56 m above the ground must be equipped with rear under ride protection of adequate strength and conforming to the dimensions specified in the above diagram.
4. Semi-trailers greater than 14.65 metres in length and manufactured after October 1994 must be equipped with automatic slack adjusters.

Schedule F

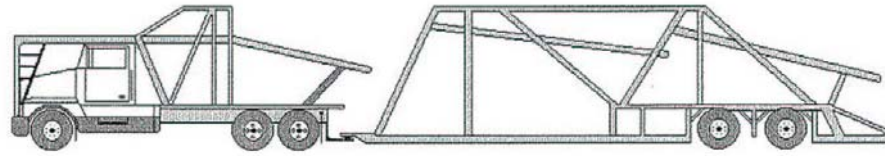
Category S1: Stinger Steer Automobile Carrier
Part 1 - Dimension Limits



DIMENSION	LIMIT
Overall Length	
- without load	Maximum 23 m
- when loaded with overhanging motor vehicles	Maximum 25 m
Overall Width	Maximum 2.6 m
Overall Height	Maximum 4.3 m
Truck:	
Overall Length	Maximum 12.5 m
Wheelbase	Not Controlled
Tandem Axle Spread	Min 1.2 m/Max 1.85 m
Fifth wheel offset (behind centre of drive axle or axle group)	Not controlled
Load Overhang at front of tractor (beyond tractor bumper)	Maximum 1.0 m
Effective Rear Overhang - without load	Maximum 4.0 m
- when loaded with overhanging motor vehicles	Maximum 4.6 m
Semitrailer	
Length	Maximum 14.65 m
Wheelbase	Min 6.25 m/Max 12.5 m
Effective Rear Overhang (excluding overhanging load)	Maximum 4 m or 42% of wheelbase, whichever is greater
Load Overhang at Rear of Semitrailer (provided width of overhang does not exceed 2.3 m)	Maximum 1.2 m
Tandem Axle Spread	Min 1.2 m/Max 1.85 m
Interaxle Spacing	
Single Axle to Single or Tandem Axle	Minimum 3.0 m
Tandem Axle to Tandem Axle	Minimum 5.0 m

Note: Extendable support plates are considered to be part of the load.

Category S1: Stinger Steer Automobile Carrier
Part 2 - Weight Limits



Max 6000 kg

Single Axle - Max 9100 kg
Tandem Axle - Max 17 000 kg

Single Axle - Max 9100 kg
Tandem Axle - Max 17 000 kg

WEIGHT	LIMIT
Axle Weights:	
Steering Axle	Maximum 6000 kg
Single Axle (dual tires)	Maximum 9100 kg
Tandem Axle:	
Axle Spread 1.2 m - 1.85 m	Maximum 17 000 kg
Gross Vehicle Weight:	Sum of Axle Weights
Three Axles	Maximum 24 200 kg
Four Axles	Maximum 32 100 kg
Five Axles	Maximum 40 000 kg

©Queen's Printer

Index

PART I

Change of Name Act, 2009 – Notice	462
Corporations Act – Notice	455
Lands Act – Notice	460
Trustee Act – Notices	460

PART II

CONTINUING INDEX OF SUBORDINATE LEGISLATION

Title of Act and Subordinate Legislation made thereunder	CNLR or NL Reg.	Amendment	NL Gazette Date & Page No.
 An Act to Amend the Canada- Newfoundland and Labrador Atlantic Accord Implementation Newfoundland and Labrador Act			
Proclamation bringing Act into force (In force December 31, 2014)	NLR 101/14	New	Dec 19/14 p. 735
 Canada-Newfoundland And Labrador Atlantic Accord Implementation Newfoundland and Labrador Act			
Transitional Regulations (In force December 31, 2014)	NLR 102/14	New	Dec 19/14 p. 737
 Emergency 911 Act			
Emergency 911 Fee Regulations (Amdt.)	NLR 97/14	Amends. NLR 80/14 S.13 R&S Extraordinary Gazette Dec 12/14	Dec 19/14 p. 727

Title of Act and Subordinate Legislation made thereunder	CNLR or NL Reg.	Amendment	NL Gazette Date & Page No.
Highway Traffic Act			
Carrier Safety Regulations, (Amdt.) (In force January 1, 2015)	NLR 103/14	Amends CNLR 1160/96 Sch. Amdt.	Dec 19/14 p. 741
Highway Traffic Demerit Point System Regulations, (Amdt.) (In force January 1, 2015)	NLR 104/14	Amends CNLR 753/96 Sch. Amdt.	Dec 19/14 p. 743
Vehicles Regulations, 2001 (Amdt.)	NLR 105/14	Amends NLR 81/01 S. 2 Amdt. S. 3 Amdt. S. 4 Amdt. S. 5 Amdt. S. 7 Amdt. S. 9 Amdt. S. 12 Amdt. Sch. R&S	Dec 19/14 p. 745
Judgment Interest Act			
Judgment Interest Order, 2015	NLR 98/14	New	Dec 19/14 p. 729
Urban and Planning Act, 2000			
Badger Municipal Planning Area	NLR 99/14	New	Dec 19/14 p. 731
Interim Development Regulations, 2003, (Amdt.)	NLR 100/14	Amends NLR 137/03 Sch. Amdt.	Dec 19/14 p. 733

The Newfoundland and Labrador Gazette is published from the Office of the Queen's Printer.

Copy for publication must be received by **Friday, 4:30 p.m.**, seven days before publication date to ensure inclusion in next issue.

Advertisements must be submitted in either PDF format or as a MSWord file. When this is not possible, advertisements must be either typewritten or printed legibly, separate from covering letter. Number of insertions required must be stated and the names of all signing officers typewritten or printed.

Copy may be mailed to the address below, faxed to (709) 729-1900 or emailed to queensprinter@gov.nl.ca.

Advertising rates are available upon request. Subscription rate for *The Newfoundland and Labrador Gazette* is \$125.00 for 52 weeks plus applicable tax (\$131.25). Weekly issues of \$3.00 per copy, plus tax payable in advance.

All cheques, money orders, etc., should be made payable to THE NEWFOUNDLAND EXCHEQUER ACCOUNT and all correspondence should be addressed to: Office of the Queen's Printer, P. O. Box 8700, Ground Floor, East Block, Confederation Building, St. John's, NL A1B 4J6. Telephone (709) 729-3649. Fax: (709) 729-1900.

Web Site: <http://www.servicenl.gov.nl.ca/printer/index.html>

**Place your order by contacting:
Office of the Queen's Printer
Confederation Building, East Block
St. John's, NL A1B 4J6
Telephone: (709) 729-3649 Fax: (709) 729-1900
email: queensprinter@gov.nl.ca**

**Government Information Product
Publication Rate Mail**

G.S.T. # R107442683

All requests for Subscription and Legislation MUST be prepaid.

**STATUTES OF NEWFOUNDLAND AND LABRADOR
2014**

**Third Session, 47th General Assembly
63 Elizabeth II, 2014**

Bill	Act	Chapter
2	<i>Interim Supply Act, 2014</i> (In force Apr. 1/14)	1
	(ASSENTED TO MARCH 25, 2014)	
* 1	<i>Public Interest Disclosure and Whistleblower Protection Act</i> (In force Jul. 1/14)	P-37.2
3	<i>Vital Statistics (Amendment) Act, 2009</i>	2
4	<i>Mental Health Care and Treatment (Amendment) Act</i>	3
5	<i>Printing Services Act Repeal Act</i>	4
6	<i>City of Corner Brook (Amendment) Act, City of Mount Pearl (Amendment) Act, City of St. John's (Amendment) Act and Municipalities (Amendment) Act, 1999</i>	5
7	<i>Health Professions (Amendment) Act</i>	6
8	<i>Publication of Adjudication Tribunal Decisions Amendment Act</i>	7
9	<i>Revenue Administration (Amendment) Act</i>	8
10	<i>Buildings Accessibility (Amendment) Act</i>	9
11	<i>Supply Act, 2014</i>	10
12	<i>Revenue Administration (Amendment) Act No. 2 (Considered in force Mar. 28/14)</i>	11
13	<i>Income Tax (Amendment) Act, 2000</i> (Ss.1&3 in force Jul. 1/14 & S.2 considered in force on Jan. 1/14)	12
14	<i>Emergency 911 Act</i> (To be proclaimed)	E-7.2

Statutes of Newfoundland and Labrador 2014

15	<i>Mineral (Amendment) Act</i>	13
16	<i>Student Financial Assistance (Amendment) Act</i>	14
17	<i>Revenue Administration (Amendment) Act and Tax Agreement (Amendment) Act, 2010 (Ss.1 & 2(1)&(2) considered in force on Apr. 1/13)</i>	15
18	<i>Fish Processing Licensing Board (Amendment) Act</i>	16
19	<i>Dispensing Opticians (Amendment) Act, 2005</i>	17
20	<i>Income Tax (Amendment) Act, 2000 No.2</i>	18
22	<i>Labour Relations (Amendment) Act</i>	19
23	<i>Loan Act, 2014</i>	20
24	<i>Labour Relations (Amendment) (Amendment) Act and Public Service Collective Bargaining (Amendment) (Amendment) Act No.2</i>	21
	(ASSENTED TO JUNE 5, 2014)	
25	<i>Elections (Amendment) Act, 1991</i>	22
	(ASSENTED TO NOVEMBER 20, 2014)	
26	<i>Revenue Administration (Amendment) Act No. 3 (To be proclaimed)</i>	23
27	<i>Chartered Professional Accountants and Public Accountants Act (In force Jan. 9/15)</i>	C-10.1
29	<i>Highway Traffic (Amendment) Act (In force Jan. 1/15)</i>	24
30	<i>Child Care Act (To be proclaimed)</i>	C-11.01
31	<i>Loan and Guarantee (Amendment) Act, 1957</i>	25

Statutes of Newfoundland and Labrador 2014

32	<i>Registered Nurses (Amendment) Act, 2008</i> (To be proclaimed)	26
33	<i>Atlantic Provinces Harness Racing Commission Act</i> (To be proclaimed)	A-19.1
35	<i>Provincial Offences (Amendment) Act</i>	27
36	<i>Missing Persons Act</i> (To be proclaimed)	M-16.2
37	<i>Highway Traffic (Amendment) Act No. 2</i> (In force Apr. 1/15)	28
38	<i>Social Workers (Amendment) Act</i> (To be proclaimed)	29
39	<i>Pensions Funding (Amendment) Act and Public Service Pensions (Amendment) Act, 1991</i> (Ss.4(1), (3), (5), (6), (8), (10), (14), 7(1), 13(1), 14, 17, 21, 29 & 30(1) in force Jan. 1/15; Remainder of the Act to be proclaimed)	30
40	<i>Other Post-Employment Benefits Eligibility Modification Act</i> (To be proclaimed)	O-9
41	<i>Municipalities (Amendment) Act, 1999</i>	31

(ASSENTED TO DECEMBER 16, 2014)

* Bills amended in Committee of the Whole House.

In researching the law readers should note that the following Statutes of Newfoundland and Labrador, 2014 include amendments to other Statutes as listed below:

Chapter C-10.1	<u><i>Chartered Professional Accountants and Public Accountants Act</i></u> - (In force Jan. 9/15) <i>Certificated General Accountants Act, 2008</i> (Repealed) <i>Certified General Accountants Regulations</i> (Repealed) <i>Certified Management Accountants Act</i> (Repealed) <i>Certified Management Accountants Regulations</i> (Repealed) <i>Chartered Accountants Act, 2008</i> (Repealed) <i>Chartered Accountants Regulations</i> (Repealed) <i>City of Corner Brook Act</i> <i>City of Mount Pearl Act</i> <i>Condominium Act, 2009</i> <i>Corporations Regulations</i> <i>Credit Union Act, 2009</i> <i>Direct Equity Tax Credit Regulations</i> <i>Egg Scheme, 2000</i>
----------------	---

Elections Act, 1991
House of Assembly Accountability, Integrity and Administration Act
Municipalities Act, 1999
Pharmaceutical Services Act
Pharmaceutical Services Regulations
Physicians and fee Regulations
Public Accountants Act (Repealed)
Public Accountants Licensing Regulations (Repealed)
Regional Services Boards Act, 2012
Prepaid Funeral Services Regulations
Real Estate Licensing Regulations
Royalty Regulations, 2003
Schools Act, 1997
Securities Regulations

Chapter C-11.01

Child Care Act

- (To be proclaimed)
Children and Youth Care and Protection Act
Citizens' Representative Act
Smoke-free Environment Act, 2005
Tobacco Control Act
Child Care Services Act (Repealed)

Chapter E-7.2

Emergency 911 Act

- (To be proclaimed)
Fire Protection Services Act

Chapter 19

Labour Relations (Amendment) Act

Fishing Industry Collective Bargaining Act
Interns and Residents Collective Bargaining Act
Labour Relations Regulations
Public Service Collective Bargaining Act

Chapter P-37.2

Public Interest Disclosure and Whistleblower Protection Act

- (In force Jul. 1/14)
Labour Relations Act

Chapter 7

Publication of Adjudication Tribunal Decisions Amendment Act

Chiropractors Act, 2009
Dental Act, 2008
Denturists Act, 2005
Dietitians Act
Dispensing Opticians Act, 2005
Health Professions Act
Hearing Aid Practitioners Act
Licensed Practical Nurses Act, 2005
Massage Therapy Act, 2005
Medical Act, 2011
Occupational Therapists Act, 2005
Optometry Act, 2012
Pharmacy Act, 2012
Physiotherapy Act, 2006
Psychologists Act, 2005
Registered Nurses Act, 2008
Social Workers Act

Chapter 23

Revenue Administration (Amendment) Act No. 3
- (To be proclaimed)
Access to Information Regulations

This list was prepared by the Office of the Legislative Counsel.

Questions or omissions should be brought to the attention of that Office.

Office of the Legislative Counsel
Department of Justice and Public Safety
Government of Newfoundland and Labrador
4th Floor East Block, Confederation Building
P.O. Box 8700
St. John's, NL A1B 4J6
F 729.729.2129
legcounsel@gov.nl.ca
www.assembly.nl.ca/legislation/

